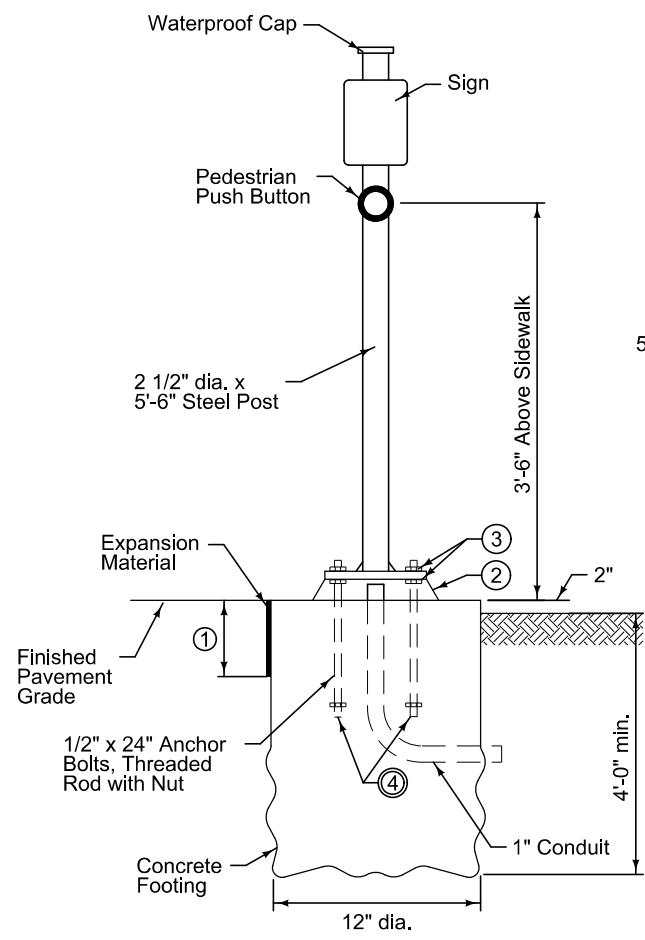
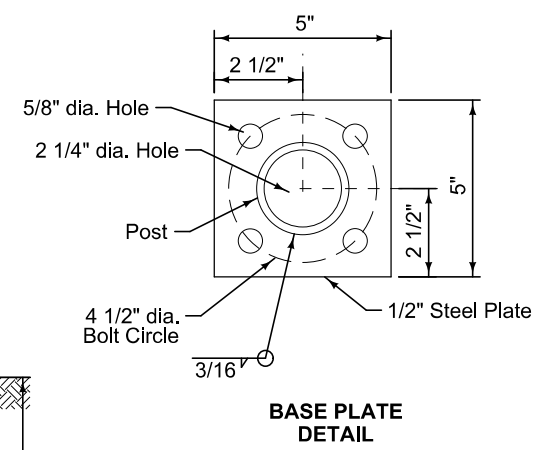


PEDESTAL POLE



PEDESTRIAN PUSH BUTTON POST AND FOOTING

- ① Shape top 11 inches with forms.
- ② Install rodent guard or non-shrink grout with weep hole.
- ③ Provide 1/2 inch diameter hex nut with 1 1/2 inch flat washer. Protect anchor bolt with nut cover.
- ④ Deform threads to prevent nut from backing off.



	REVISION
	1 10-15-13
	8010.106
SHEET 1 of 1	

SUDAS Standard Specifications

PEDESTAL POLE AND PEDESTRIAN POST DETAILS