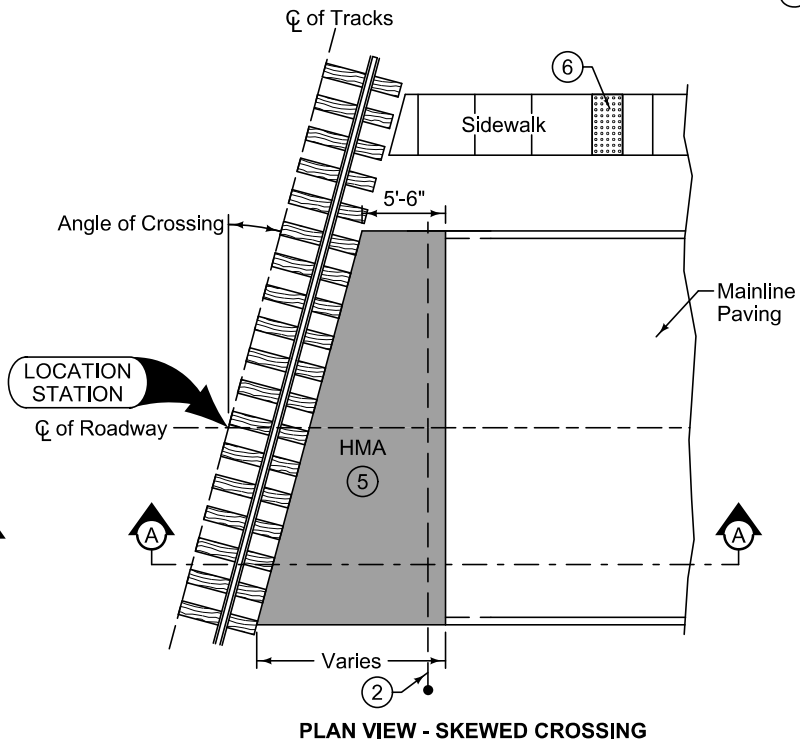
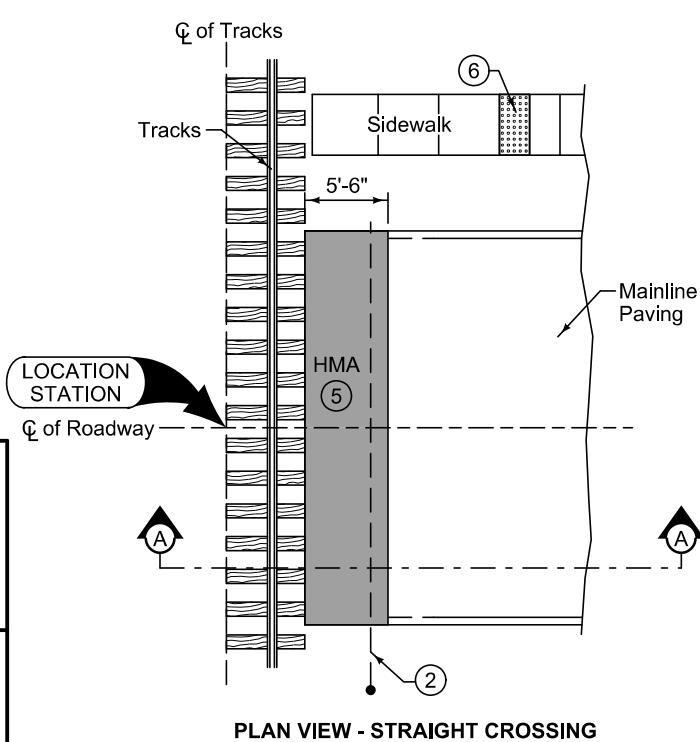



- ① HMA or composite mainline paving.
- ② Install 6 inch perforated CMP subdrain, if specified. Include rodent guard per Iowa DOT Materials I.M. 443.01.
- ③ Granular subbase, modified subbase, or ballast meeting railroad specifications.
- ④ For new crossings, construct pavement 1/2 inch to 1 inch below top of rail. For existing crossings, construct pavement level to 1/2 inch below top of rail.
- ⑤ Construct HMA approach according to full depth HMA patch requirements, or requirements for mainline paving if constructed with HMA mainline.
- ⑥ Refer to Figure 7030.210 for detectable warning location.



	REVISION
	1 10-16-12
	7020.902
SHEET 1 of 1	
SUDAS Standard Specifications	
HMA RAILROAD CROSSING APPROACH	