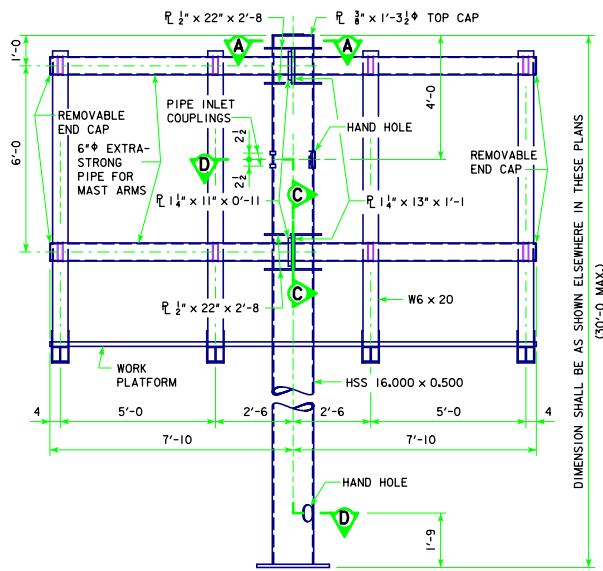
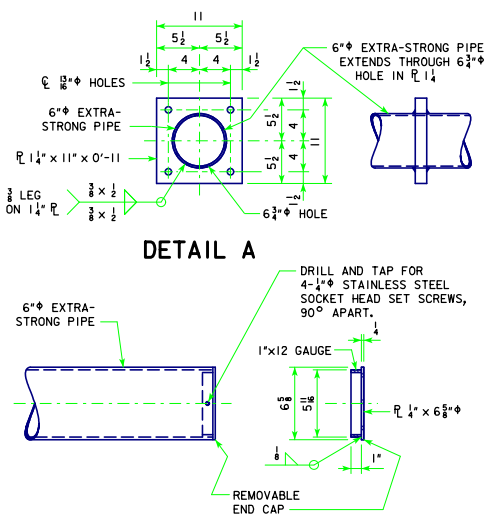


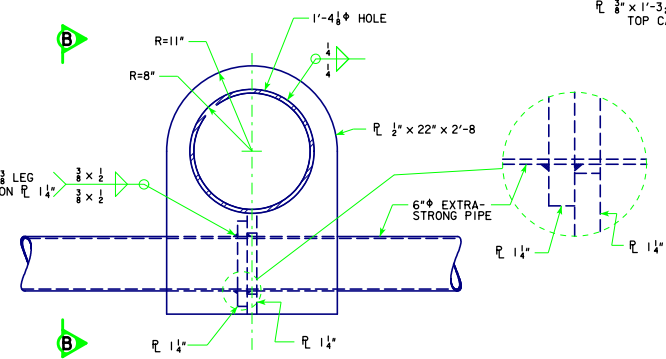
ROADSIDEDMSUPPORT.DGN - RDMS-02-13 - THIS SHEET ISSUED 04-13.



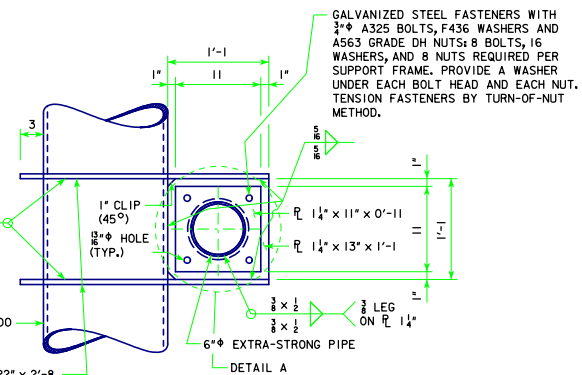
ELEVATION VIEW



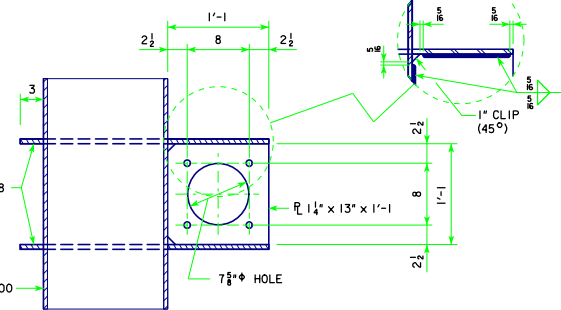
END CAP DETAIL



SECTION A-A

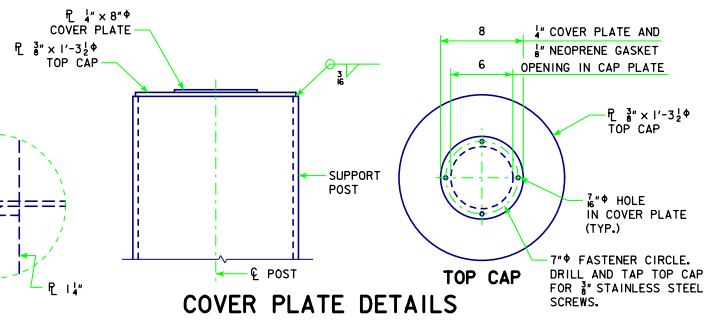


VIEW B-B

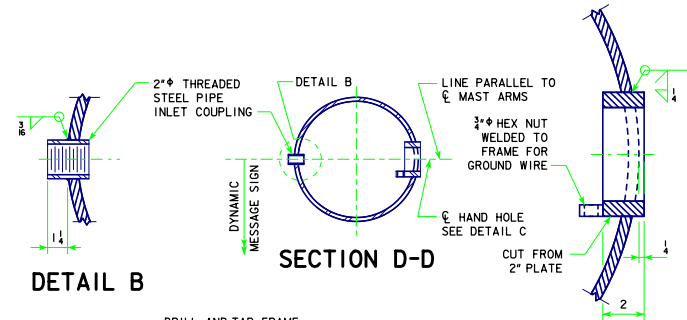


SECTION C-C

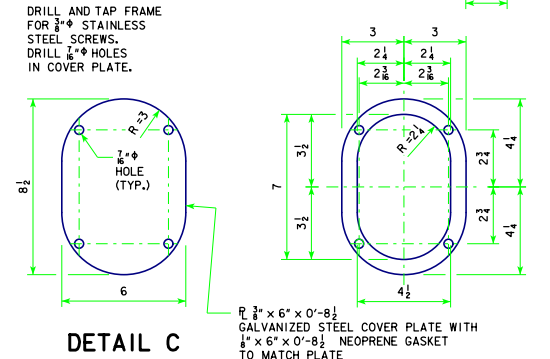
(6" EXTRA-STRONG PIPE NOT SHOWN)



COVER PLATE DETAILS

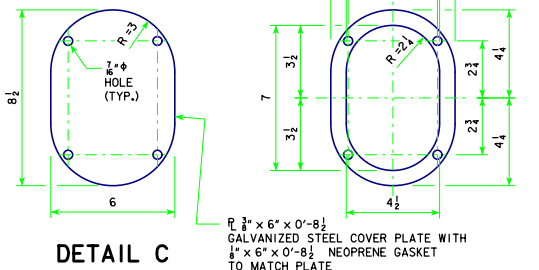


DETAIL B



SECTION D-D

DETAIL C



LATEST REVISION DATE <i>Thomas E. Mc Donnell</i> APPROVED BY BRIDGE ENGINEER	
	STANDARD DESIGN ROADSIDE DYNAMIC MESSAGE SIGN (DMS) SUPPORT APRIL, 2013
	SUPPORT FRAME DETAILS
RDMS-02-13	