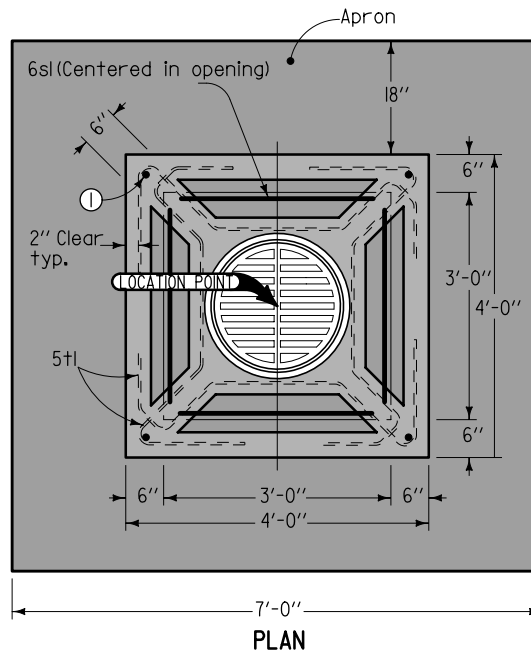
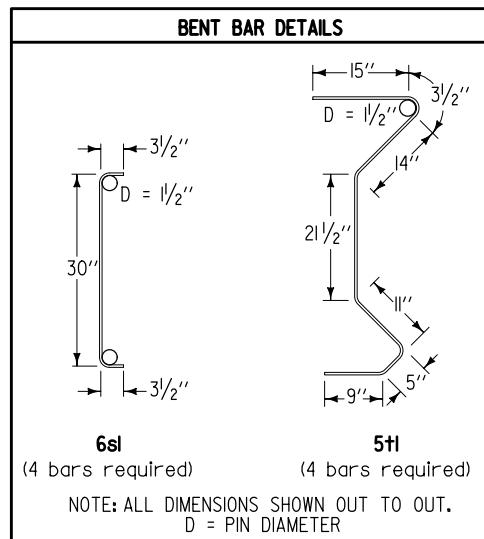


TYPICAL SECTION



PLAN



6sl

(4 bars required)

5tl

(4 bars required)

NOTE: ALL DIMENSIONS SHOWN OUT TO OUT.
D = PIN DIAMETER

Top unit of intake may be poured in field or precast. Alignment hole shall be 1 inch in diameter and 3 inches deep (placed 3 inches from each side at corners of unit) if precast.

- ① #6 X 9 inch alignment pins (4 bars required). Alignment pins required only when top is precast

 Iowa Department of Transportation	REVISION NEW 10-20-09
	STANDARD ROAD PLAN SW-562 SHEET 1 of 1
REVISIONS: New. Replaces RA-62.	
<i>Deanna Mailfield</i> APPROVED BY DESIGN METHODS ENGINEER	
VERTICAL THROAT AREA INTAKE	