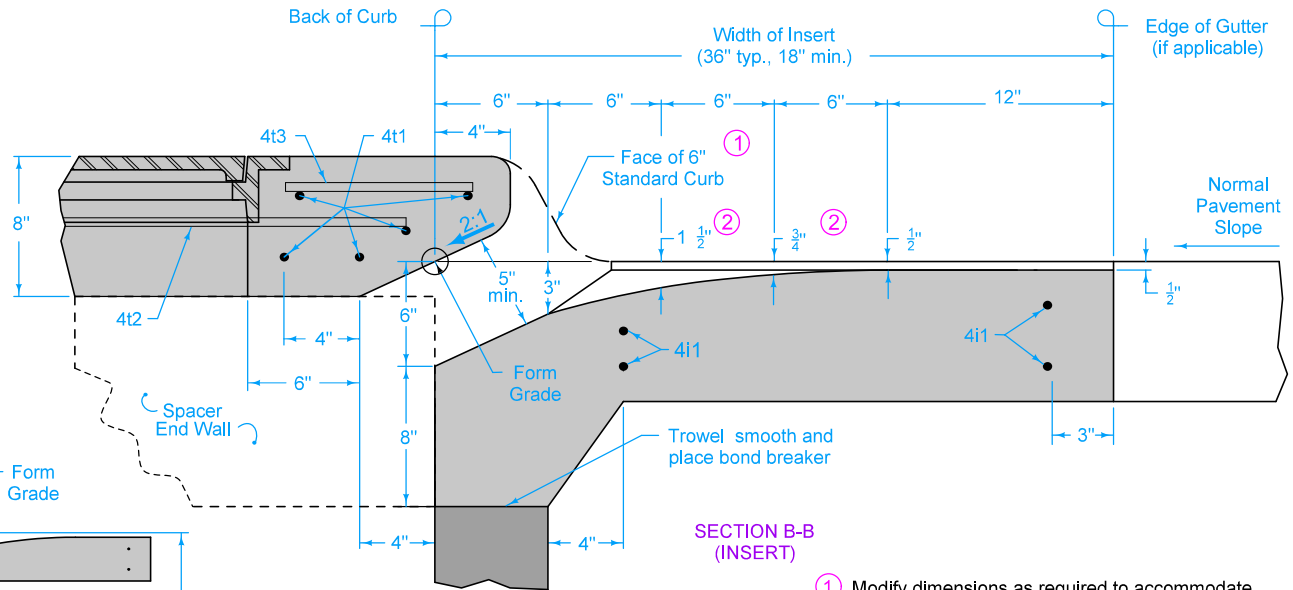
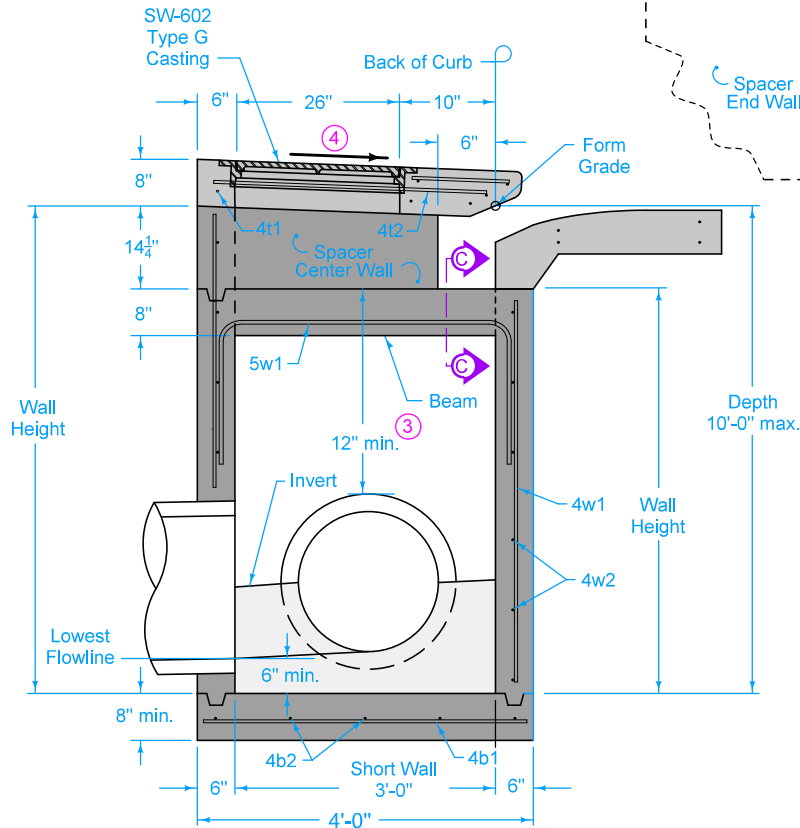


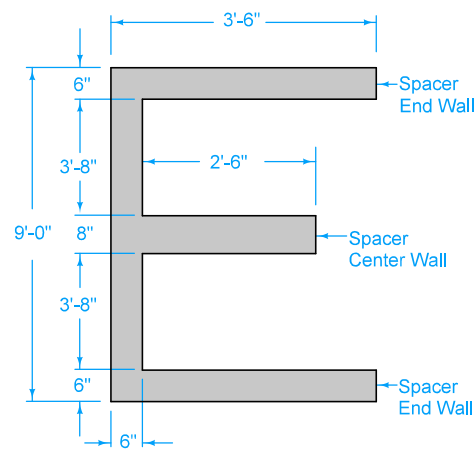
SECTION C-C



SECTION B-B (INSERT)



SECTION A-A

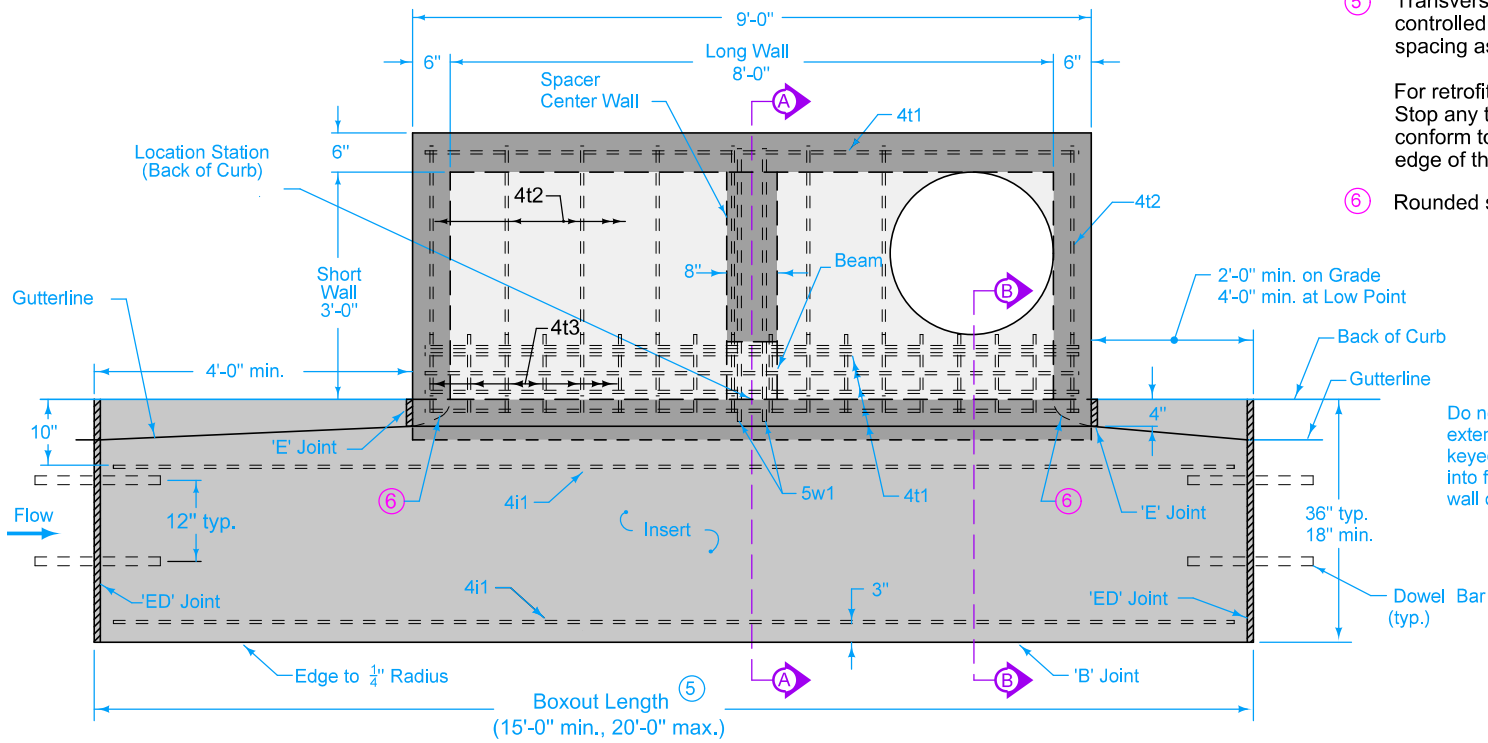


PLAN (SPACER)

- ① Modify dimensions as required to accommodate other curb heights when specified.
- ② Insert shaping may be modified for insert widths less than 36 inches. For an 18 inch insert, reduce dimensions indicated by $\frac{1}{4}$ inch.
- ③ 12 inch minimum wall height above all pipes.
- ④ Slope of 1.5% or as specified in the contract documents.

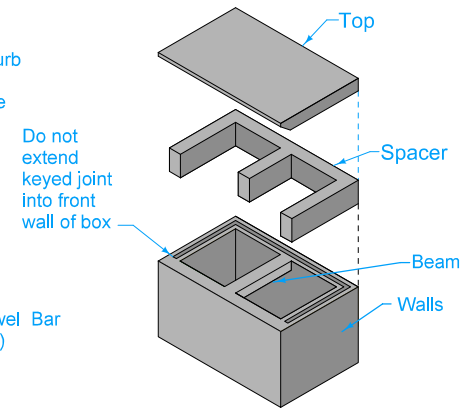
FIGURE 6010.509 SHEET 1 OF 2

| | |
|---|---|
| SUDAS IOWADOT | REVISION 4 10-21-14 |
| | SW-509 SHEET 1 of 2 |
| FIGURE 6010.509 STANDARD ROAD PLAN | REVISIONS: Added circle note 4. |
| <i>Paul D. Wigand</i> SUDAS DIRECTOR | <i>Brian Smith</i> DESIGN METHODS ENGINEER |
| DOUBLE OPEN-THROAT CURB INTAKE, SMALL BOX | |

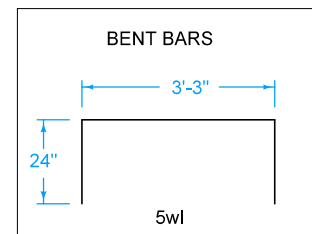


PLAN

- (5) Transverse joint spacing on new concrete pavement is controlled by the intake boxout. Adjust adjacent joint spacing as required to accommodate boxouts.
- For retrofit intakes, match existing pavement joints. Stop any transverse pavement joints that do not conform to the minimum spacing requirements at the edge of the insert area.
- (6) Rounded shaping at inlet.



ISOMETRIC
(Refer to SECTION B-B for alignment of Top with Spacer)



| REINFORCING BAR LIST | | | | | | |
|----------------------|------|-------------|-------|--------|------------------------|------------|
| Mark | Size | Location | Shape | Count | Length | Spacing |
| 4b1 | 4 | Base | — | 9 | 3'-6" | 12" |
| 4b2 | 4 | Base | — | 5 | 8'-6" | 10" |
| 4i1 | 4 | Insert | — | 4 | Boxout Length minus 8" | See Insert |
| 4t1 | 4 | Top | — | 6 | 8'-6" | See Plan |
| 4t2 | 4 | Top | — | 8 | 3'-6" | 12" |
| 4t3 | 4 | Top | — | 18 | 10" | 6" |
| 4w1 | 4 | Walls | — | 22 | Wall Height minus 4" | 13" |
| 4w2 | 4 | Long Walls | — | Varies | 4'-8" | 12" |
| 4w3 | 4 | Short Walls | — | Varies | 3'-8" | 12" |
| 5w1 | 5 | Beam | ⌊ | 2 | 7'-3" | 4" |

| MAXIMUM PIPE DIAMETERS | | |
|------------------------|-------------------|-------------------------|
| Pipe Location | Precast Structure | Cast-in-place Structure |
| Short Wall | 24" | 30" |
| Long Wall | 60" | 66" |

| | |
|------------------|-------------------------------|
| SUDAS IOWADOT | REVISION 4 10-21-14 |
| | SW-509 SHEET 2 of 2 |

REVISIONS: Added circle note 4.

Paul D. Wigand
 SUDAS DIRECTOR

Brian Smith
 DESIGN METHODS ENGINEER

DOUBLE OPEN-THROAT CURB INTAKE, SMALL BOX