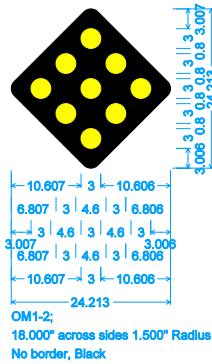
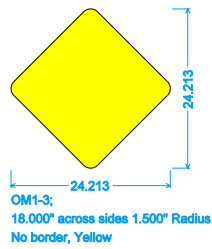


OM1-1;  
18.000" across sides 1.500" Radius  
0.500" Border, Yellow on Yellow

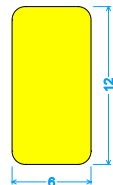


OM1-2;  
18.000" across sides 1.500" Radius  
No border, Black



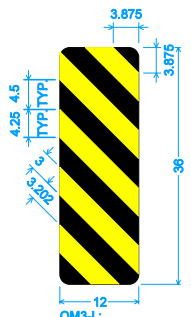
OM1-3;  
18.000" across sides 1.500" Radius  
No border, Yellow

**TYPE 1 OBJECT MARKERS**

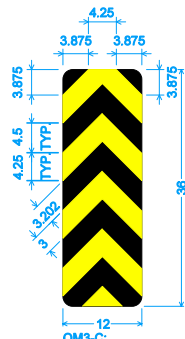


OM2-2;  
1.000" Radius, No border, Yellow

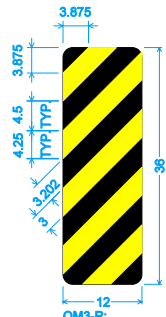
**TYPE 2 OBJECT MARKER**



OM3-L;  
1.500" Radius, No border,  
Black, Yellow Diagonal

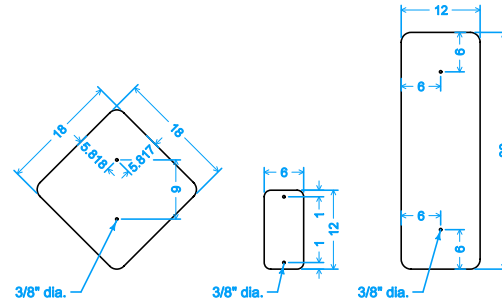


OM3-C;  
1.500" Radius, No border,  
Black, Yellow Diagonal

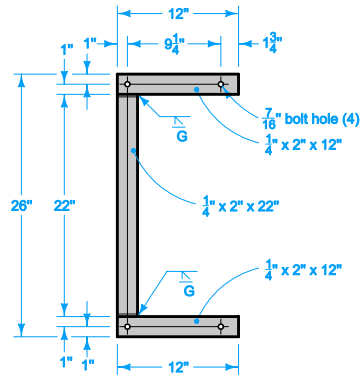


OM3-R;  
1.500" Radius, No border,  
Black, Yellow Diagonal

**TYPE 3 OBJECT MARKERS**



**SIGN BLANKS**  
0.063 inch aluminum



**OFFSET BRACKET**  
Galvanize in accordance with AASHTO M 111.

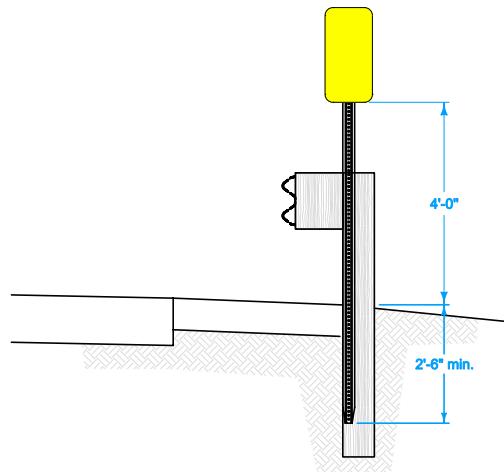
Fabricate object markers from materials complying with Section 4186 of the Standard Specifications.

Buttons on Type 1 Object Markers may consist of yellow reflectors or yellow reflective sheeting. Do not mix types on any single object marker. When reflectors are used, attach to sign blank with an aluminum, brazier head, blind rivet of  $\frac{3}{16}$  inch diameter and a grip range of  $\frac{1}{8}$  to  $\frac{3}{8}$  inches.

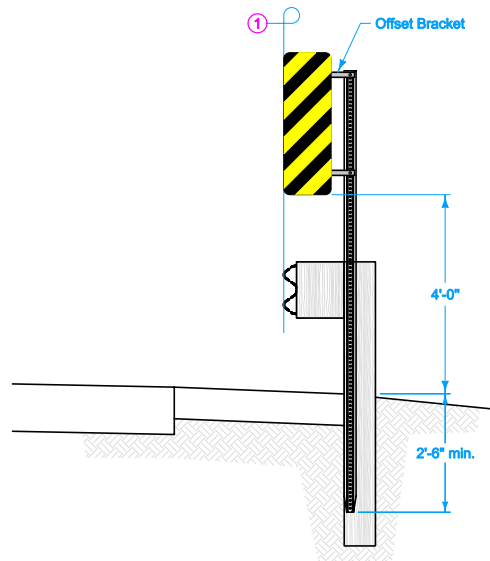
Install object markers truly vertical.

Ensure top of post does not extend above top of object marker.

<p>Iowa Department of Transportation</p>	REVISION
	New 04-20-10
<b>STANDARD ROAD PLAN</b>	<b>SI-173</b>
REVISIONS: New.	SHEET 1 of 2
<i>Deanna Maifeld</i> APPROVED BY DESIGN METHODS ENGINEER	
<b>OBJECT MARKERS</b>	

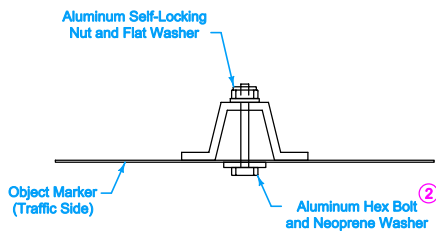


**TYPE 2**

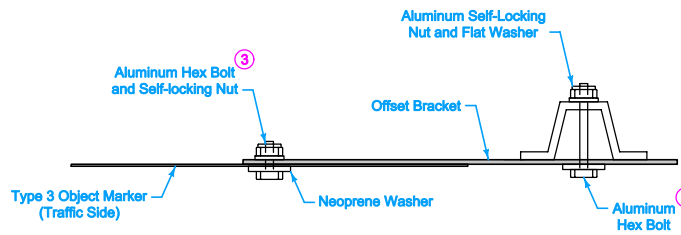


**TYPE 3**

**INSTALLATION AT GUARDRAIL LOCATIONS**




**STANDARD ATTACHMENT**



**OFFSET BRACKET ATTACHMENT**

- ① Install Type 3 Object Markers so the inside edge of the marker is in line with the inner edge of the obstruction.
- ② Attach object marker or offset bracket to the delineator post at two locations. Use the following per bolt hole location:
  - one aluminum  $\frac{5}{16}$  in. dia x  $2\frac{1}{4}$  in. length hex head bolt with matching self-locking nut,
  - one aluminum flat washer of 0.344 in. ID x 0.688 in. OD x 0.091 thickness behind the nut, and
  - for object marker attachment only, one neoprene washer of 1 in. OD x  $\frac{1}{8}$  in. thickness behind the bolt head.
- ③ When Type 3 Object Marker is installed on an offset bracket, attach marker to bracket at two locations. Use the following per bolt hole location:
  - one aluminum  $\frac{5}{16}$  in. dia x  $1\frac{1}{2}$  in. length hex head bolt with matching self-locking nut,
  - one aluminum flat washer of 0.344 in. ID x 0.688 in. OD x 0.091 thickness behind the nut, and
  - one neoprene washer of 1 in. OD x  $\frac{1}{8}$  in. thickness behind the bolt head.

 <b>Iowa Department of Transportation</b>	<small>REVISION</small> New 04-20-10
	<b>SI-173</b> <small>SHEET 2 of 2</small>
<small>REVISIONS: New.</small>	
<i>Deanna Maifeld</i> <small>APPROVED BY DESIGN METHODS ENGINEER</small>	
<b>OBJECT MARKERS</b>	