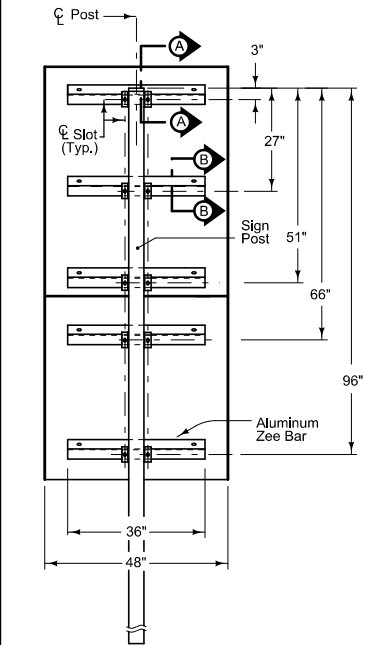


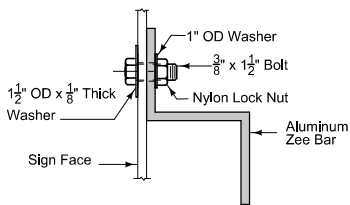
PLAN

NOTE: Treated Wood or Perforated Square Tube Post

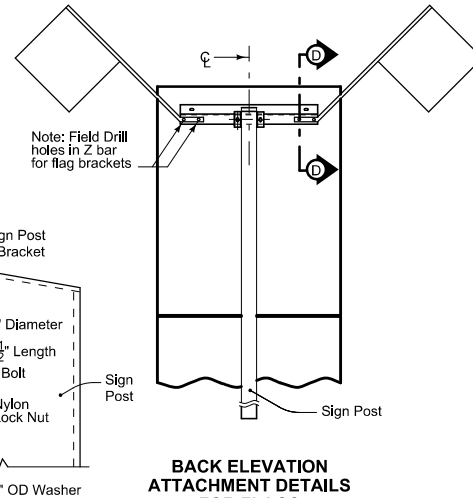
WOOD OR PERFORATED SQUARE TUBE POST INSTALLATION



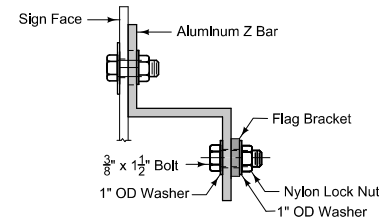
BACK ELEVATION 4" x 6" RECTANGULAR TUBE POST ATTACHMENT DETAILS



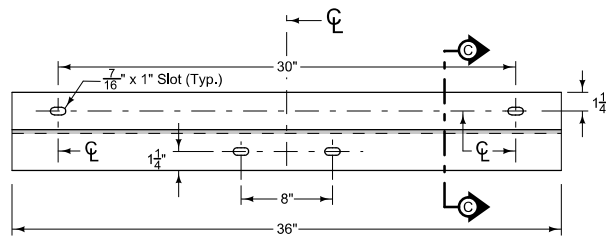
SECTION B-B



BACK ELEVATION ATTACHMENT DETAILS FOR FLAGS

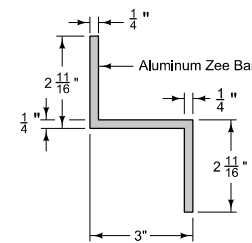


SECTION D-D



ALUMINUM ZEE BAR

RECTANGULAR TUBE POST INSTALLATION



SECTION C-C

Refer to SI-114 for details of steel breakaway sign post rectangular tube.

Possible Contract Items:
Steel Breakaway Sign Post
Wood Sign Post

<p>Iowa Department of Transportation</p> <p>STANDARD ROAD PLAN</p> <p>REVISIONS: Added Perforated Square Tube Post to Wood Post Installation detail.</p> <p><i>Deanna Macfadyen</i> APPROVED BY DESIGN METHODS ENGINEER</p>	REVISION	10-18-11
	3	
	<p>SI-131</p> <p>SHEET 1 of 1</p>	

INSTALLATION - TYPE 'A' SIGNS