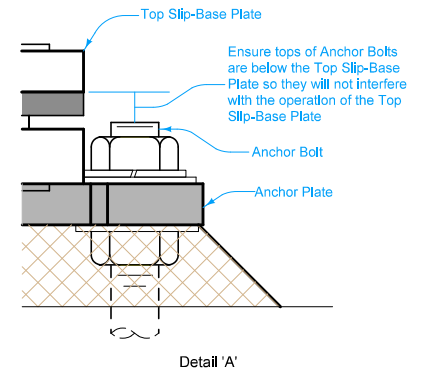


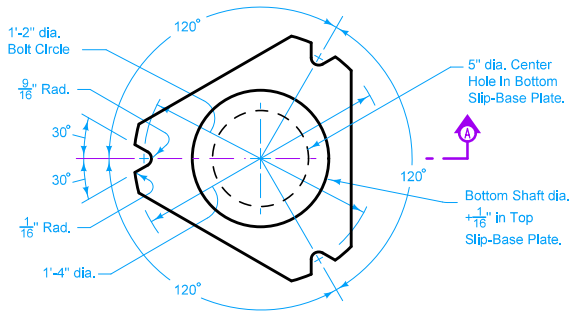
- ① Ensure the top Slip-Base Plate clears all Anchor Bolts.
- ② Furnish wire fabric material complying with [Materials I.M. 443.01](#). Place wire fabric around anchor bolt circle between concrete foundation and base plate. Fit the fabric tight to the bottom surface of the baseplate and the top surface of the foundation to prevent rodent entry.
- ③ Refer to [LI-201](#) for foundation details.
- ④ Torque to 1000 in. lbs.

LIST OF FASTENER HARDWARE

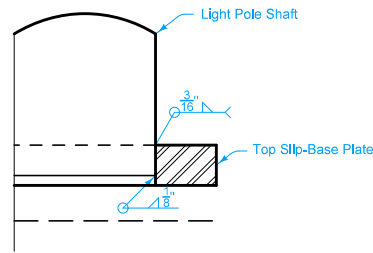
1" anchor bolts: 3 total.
 1" x 4 1/2" bolts for slip-base: 3 total.
 Plate washers: 6 total; 3 top plate and 3 bottom plate.
 Circular washers: 9 total; 3 middle washers, 3 washers for leveling nuts, and 3 washers for anchor bolt nuts.
 Lock washers: 3 total.
 Nuts: 9 total; 3 leveling nuts, 3 nuts for anchor bolts, and 3 nuts for slip-base bolts.



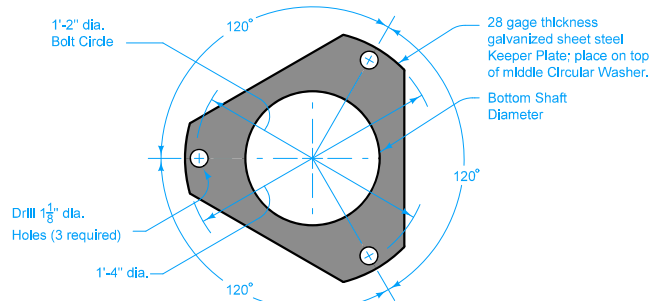
IOWA DOT	REVISION
	New 10-21-14
STANDARD ROAD PLAN	LI-211
REVISIONS: New. Replaces RM-46.	SHEET 1 of 2
<i>Brian Smith</i>	
APPROVED BY DESIGN METHODS ENGINEER	
SLIP-BASE FOR LIGHT POLES	



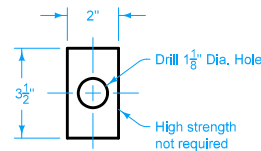
SLIP-BASE PLATE



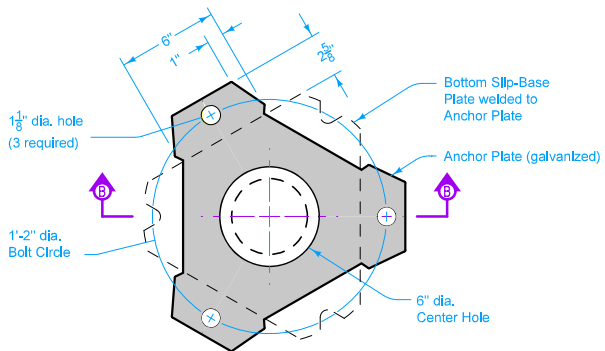
TYPICAL HALF SECTION 'A'
(Top Slip-Base Plate)



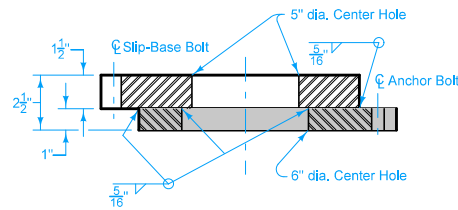
KEEPER PLATE



5/16" THICK
PLATE WASHER



ANCHOR PLATE



SECTION B-B
ANCHOR PLATE

	REVISION	10-21-14
	New	10-21-14
	LI-211	
STANDARD ROAD PLAN		
SHEET 2 of 2		

REVISIONS: New. Replaces RM-46.

Brian Smith
APPROVED BY DESIGN METHODS ENGINEER

SLIP-BASE FOR LIGHT POLES