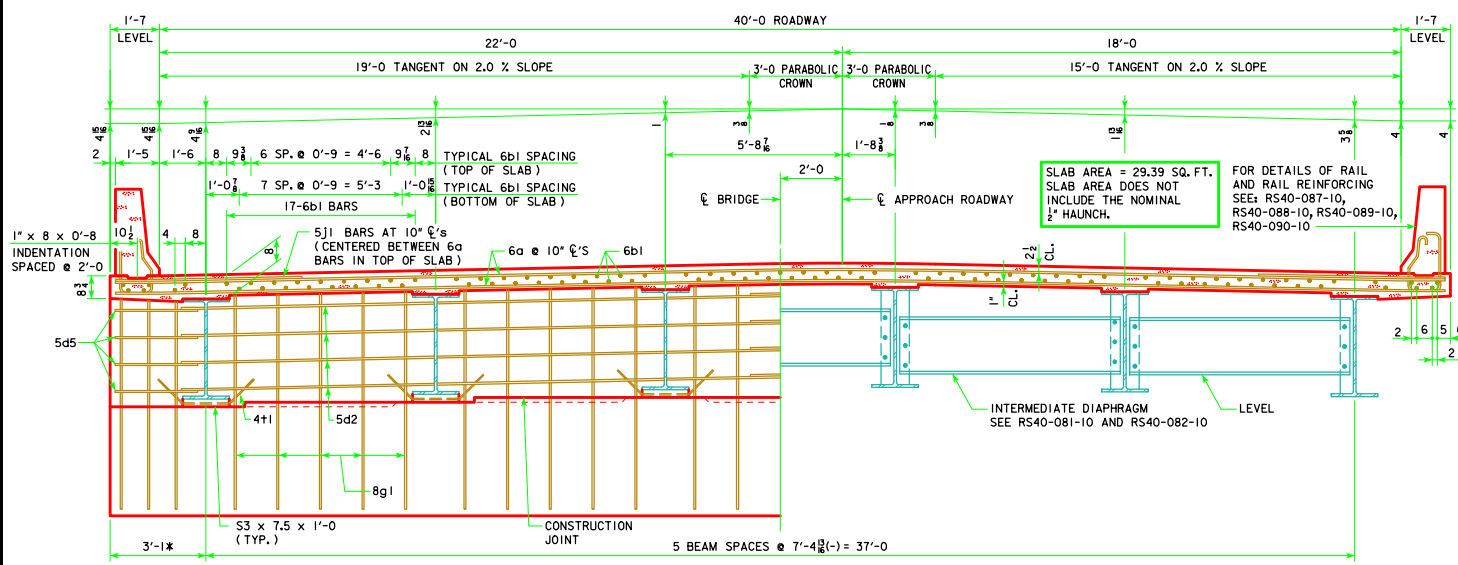


REVISED 10-14 - THE NOTE FOR CAMBER & HAUNCH WAS CHANGED TO OMIT THE FILL IN FOR THE DES. SHT. THE DRAIN DETAIL NOTE WAS CHANGED TO AT THE "GENERAL INFORMATION" IN THE PLANS.



SUPERSTRUCTURE NOTES:

THE FLOOR SLAB AS SHOWN INCLUDES 1/2" INTEGRAL WEARING SURFACE.

FORMS FOR THE SLAB AND BARRIER RAIL ARE TO BE SUPPORTED BY THE BEAMS.

CLEAR DISTANCE FROM FACE OF CONCRETE TO NEAR REINFORCING BAR SHALL BE 2 INCHES UNLESS OTHERWISE NOTED OR SHOWN.

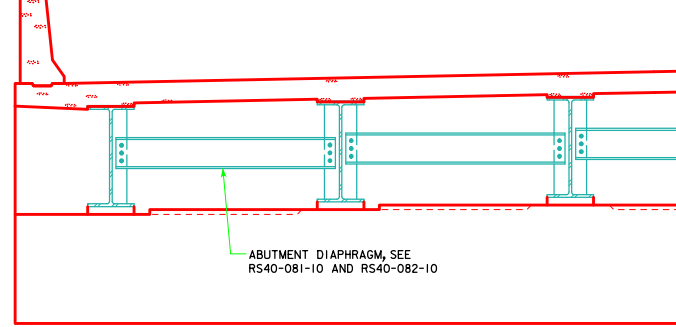
TOP TRANSVERSE REINFORCING STEEL IS TO BE PARALLEL TO AND 2 1/2" CLEAR BELOW TOP OF SLAB. BOTTOM TRANSVERSE REINFORCING STEEL IS TO BE PARALLEL TO AND 1" CLEAR ABOVE BOTTOM OF SLAB. TOP AND BOTTOM REINFORCING STEEL IS TO BE SUPPORTED BY INDIVIDUAL BAR CHAIRS SPACED AT NOT MORE THAN 3'-0" CENTERS LONGITUDINALLY AND TRANSVERSELY, OR BY CONTINUOUS ROWS OF BAR HIGH CHAIRS OR SLAB BOLSTERS SPACED 4'-0" APART. I.M. 451.01 REQUIREMENTS SHALL APPLY FOR BAR CHAIRS, BAR HIGH CHAIRS, AND SLAB BOLSTERS.

TRANSVERSE SLAB REINFORCING MAY BE SPLICED WITH ONE LAP LOCATED AS FOLLOWS: TOP BARS - LAP MIDWAY BETWEEN BEAMS (MIN. LAP = 1'-10"). BOTTOM BARS - LAP OVER GIRDERS (MIN. LAP = 1'-10"). PAYMENT FOR REINFORCING BARS SHALL BE BASED ON NO SPLICES, AND NO ALLOWANCE SHALL BE MADE FOR THE ADDITIONAL LENGTH OF BAR REQUIRED FOR THE USE OF SPLICES.

THE ABUTMENT DIAPHRAGM CONCRETE IS TO BE PLACED MONOLITHICALLY WITH THE FLOOR SLAB.

HALF SECTION NEAR ABUTMENT

NOTE:
STEEL ABUTMENT DIAPHRAGMS OMITTED FOR CLARITY. SEE RS40-081-10 AND RS40-082-10

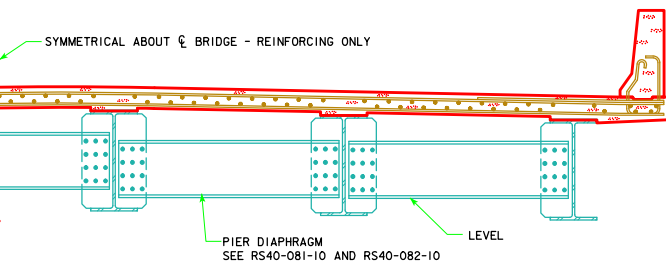


HALF SECTION NEAR ABUTMENT

NOTE:
REINFORCING OMITTED FOR CLARITY. FOR BEAM CAMBER AND THEORETICAL CONCRETE HAUNCH DIAGRAM, SEE MISC. DETAILS WORK SHEET FOR APPROPRIATE LENGTH BRIDGE.

HALF SECTION NEAR INTERMEDIATE DIAPHRAGM

SYMMETRICAL ABOUT CL BRIDGE - REINFORCING ONLY

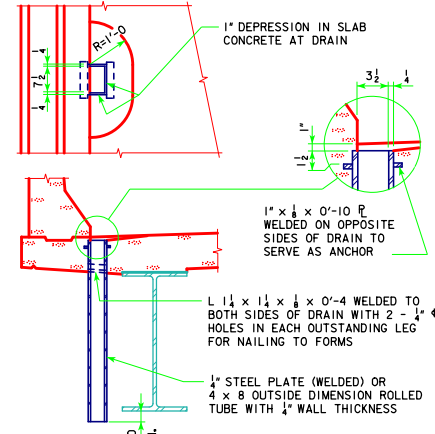


HALF SECTION NEAR PIER

DRAIN DETAIL NOTE:
DRAINS ARE TO BE GALVANIZED. FOR NUMBER OF DRAINS REQUIRED AND LOCATION SEE "GENERAL INFORMATION" SHEET. WEIGHT OF DRAINS IS SHOWN FOR INFORMATION ONLY. THE COST OF DRAINS SHALL BE CONSIDERED INCIDENTAL TO STRUCTURAL STEEL. THE WEIGHT OF DRAINS IS NOT INCLUDED IN THE QUANTITIES OF STRUCTURAL STEEL SHOWN ON "SUPERSTRUCTURE QUANTITIES SHEET".

DATA FOR ONE DRAIN

BEAM SIZE	W30	W33	W36	W40	W44
WT. LBS.	82	87	92	96	105
LENGTH FT.	4'-3	4'-7	4'-9	5'-0	5'-5



LATEST REVISION DATE
10-14
APPROVED BY BRIDGE ENGINEER
Norman E. McQuinn

IOWADOT Highway Division

STANDARD DESIGN - 40' ROADWAY, 3 SPAN BRIDGES
ROLLED STEEL BEAM BRIDGES
JUNE, 2010

UNSYMMETRICAL CROSS SECTIONS
160'-0-340'-0 SPANS
RS40-018-10