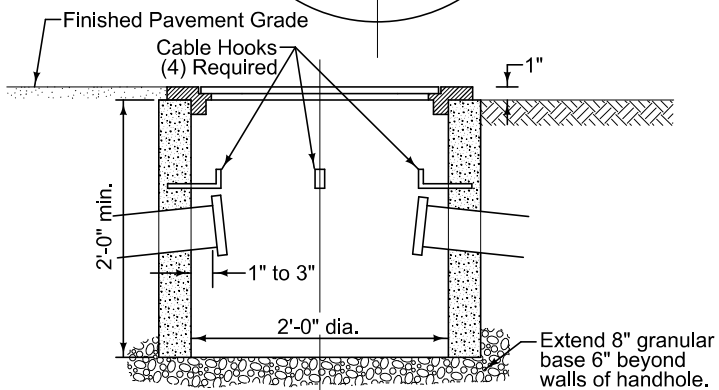
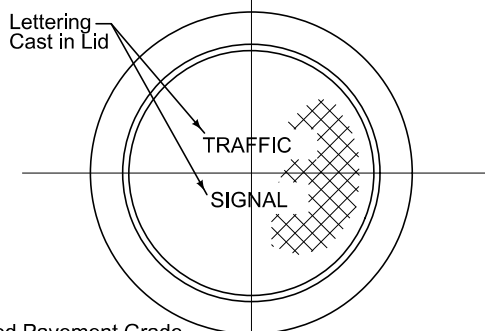
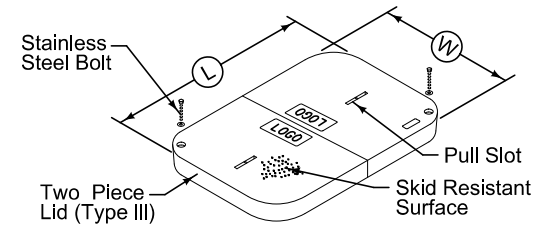
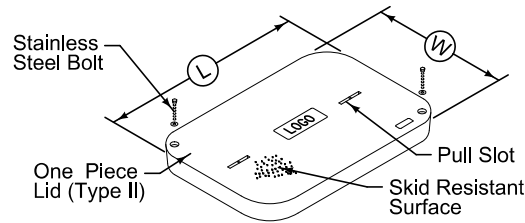
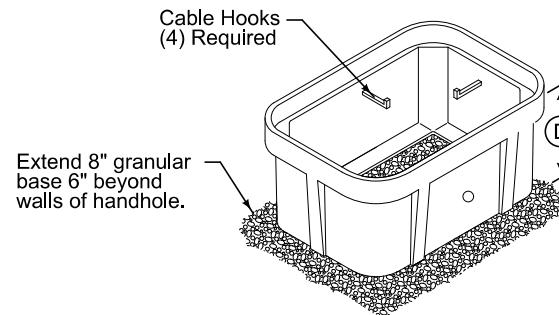


**CONDUIT IN TRENCH**



**PRECAST CONCRETE HANDHOLE (TYPE I)**



HANDHOLE DIMENSIONS TABLE (NOMINAL)			
TYPE	L	W	D
II	36"	24"	30"
III	48"	30"	36"

**PRECAST COMPOSITE HANDHOLE**

	REVISION
	New 10-16-12
	<b>8010.103</b>
SHEET 1 of 1	

SUDAS Standard Specifications

CONDUIT AND HANDHOLES