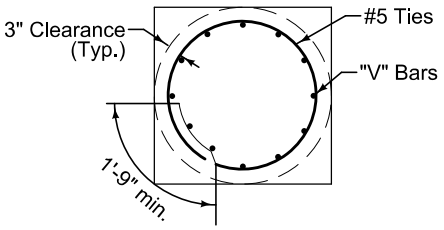
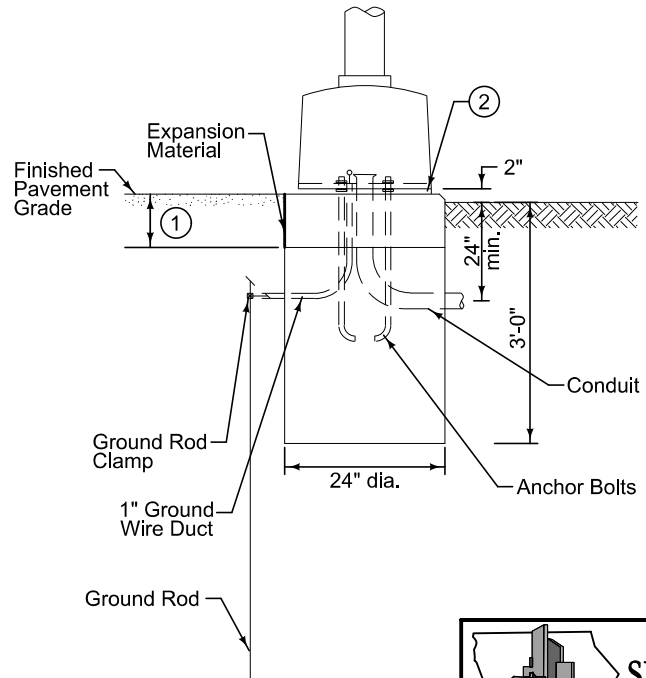


Tie Spacing:

- ① Shape top 11 inches with forms.
- ② Install rodent guard or non-shrink grout with weep hole.



TYPE	D	W	"V" Bars		S	T
			Count	Size		
A	11'-0"	3'-0"	12	8	8	12"
B	13'-0"	3'-0"	12	8	10	12"
C	15'-0"	3'-0"	12	8	10	12"
D	16'-0"	3'-0"	12	8	10	8"
E	15'-0"	3'-6"	12	10	10	8"
F	16'-0"	3'-6"	12	10	10	8"

Provide footing type as specified in the contract documents.

MAST ARM POLE FOOTING

PEDESTAL POLE FOOTING

	REVISION
	New 10-16-12
	8010.102
SHEET 1 of 1	

SUDAS Standard Specifications

POLE FOOTING
DETAILS