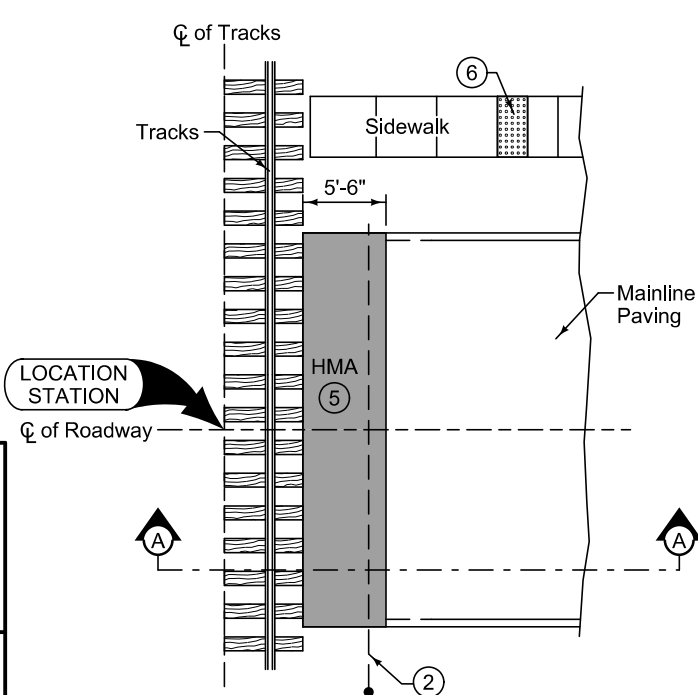
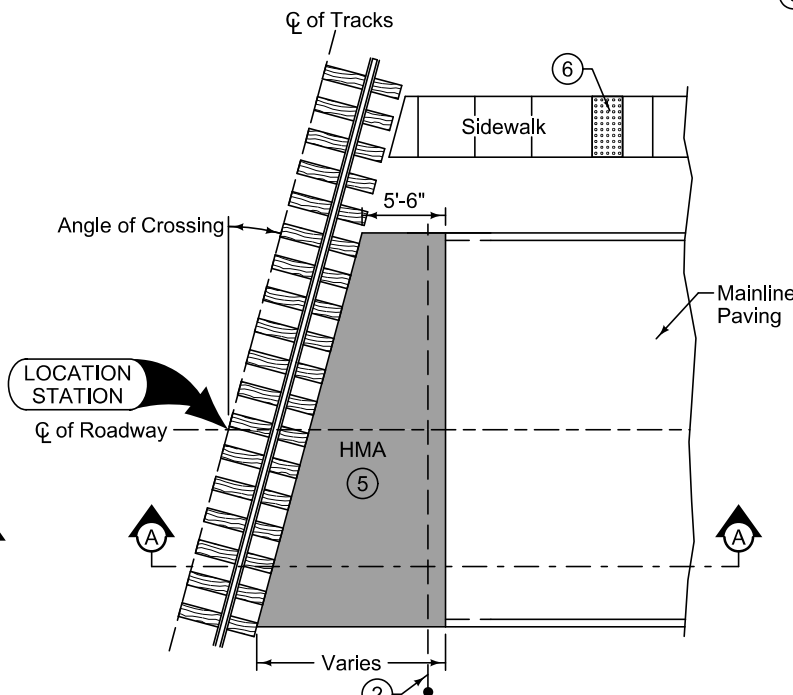


SECTION A-A

- ① HMA or composite mainline paving.
- ② Install 6 inch perforated CMP subdrain, if specified. Include rodent guard per Iowa DOT Materials I.M. 443.01.
- ③ Granular subbase, modified subbase, or ballast meeting railroad specifications.
- ④ For new crossings, construct pavement 1/2 inch to 1 inch below top of rail. For existing crossings, construct pavement level to 1/2 inch below top of rail.
- ⑤ Construct HMA approach according to full depth HMA patch requirements, or requirements for mainline paving if constructed with HMA mainline.
- ⑥ Refer to Figure 7030.210 for detectable warning location.




PLAN VIEW - STRAIGHT CROSSING



PLAN VIEW - SKEWED CROSSING

FIGURE 7020.902 SHEET 1 OF 1

	<small>REVISION</small> 1   10-16-12
	<b>SUDAS</b> <b>7020.902</b>
	<small>SHEET 1 of 1</small>
<b>SUDAS Standard Specifications</b>	
<b>HMA RAILROAD CROSSING APPROACH</b>	