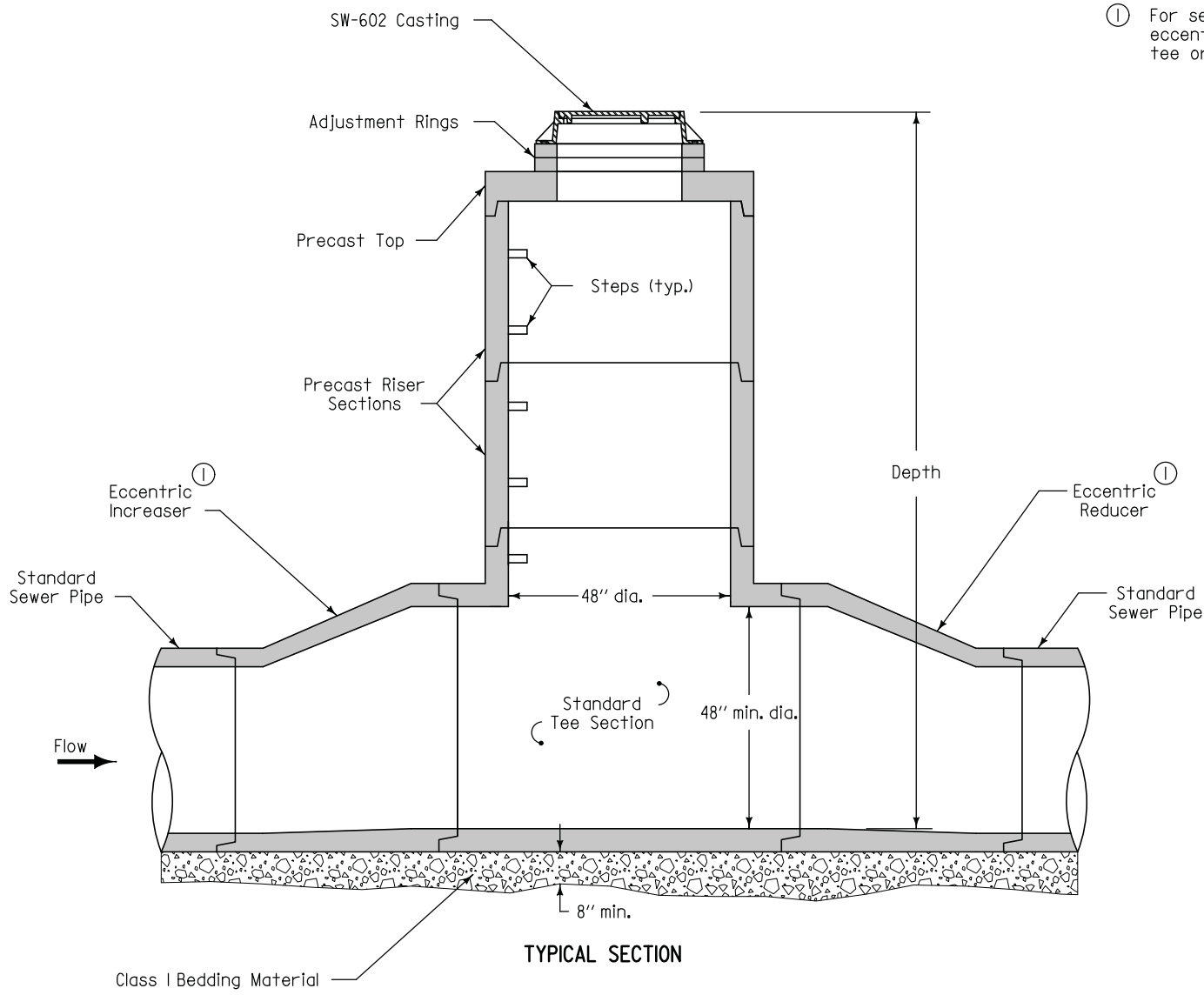


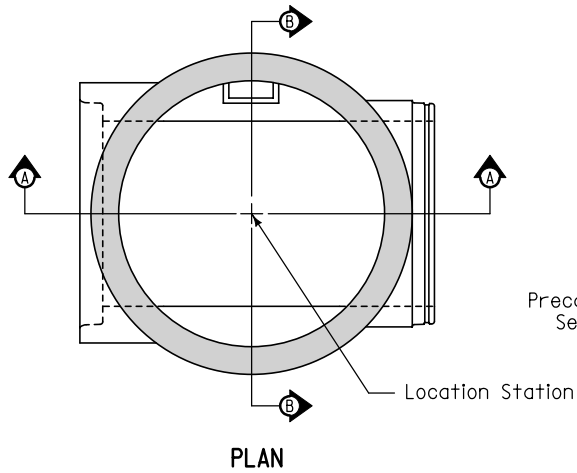
FIGURE 6010.405 SHEET 1 OF 2



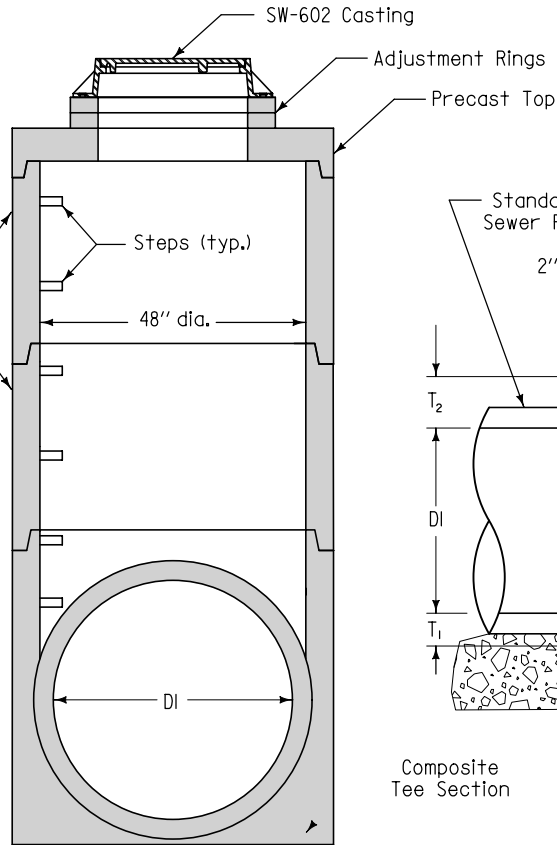
① For sewer pipes less than 48 inch diameter, install eccentric reducers/increasers with a standard tee or utilize a composite tee.

TYPICAL SECTION  
STANDARD TEE ①

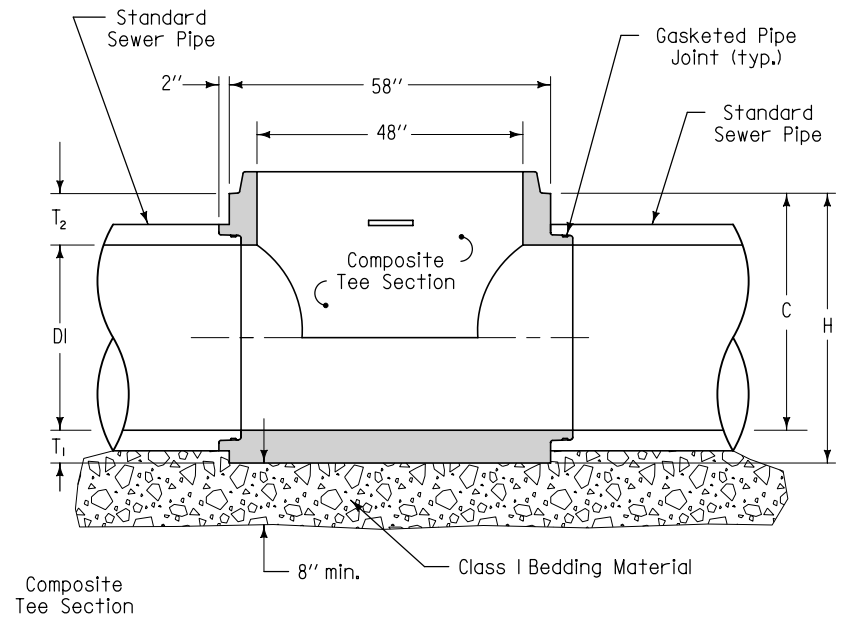
SUDAS	Iowa Department of Transportation	REVISION
		NEW 04-21-09
<b>FIGURE 6010.405</b>	<b>STANDARD ROAD PLAN</b>	<b>SW-405</b>
		SHEET 1 of 2
REVISIONS: New. Replaces SUDAS Type "M-E" Manhole.		
SUDAS DIRECTOR	DESIGN METHODS ENGINEER	
<b>TEE-SECTION STORM SEWER MANHOLE</b>		



COMPOSITE TEE DIMENSIONS						
Size	DI	H	T <sub>1</sub>	T <sub>2</sub>	C	Weight
48" on 12"	12"	50"	8 1/2"	29 1/2"	41 1/2"	5600 lbs.
48" on 15"	15"	50"	7"	28"	43"	5400 lbs.
48" on 18"	18"	50"	5 1/2"	26 1/2"	44 1/2"	5200 lbs.
48" on 21"	21"	48"	9 1/2"	17 1/2"	38 1/2"	5800 lbs.
48" on 24"	24"	48"	8"	16"	40"	5600 lbs.
48" on 27"	27"	48"	9 1/2"	11 1/2"	38 1/2"	5900 lbs.
48" on 30"	30"	48"	8"	10"	40"	5300 lbs.
48" on 33"	33"	54"	9 1/2"	11 1/2"	44 1/2"	6600 lbs.
48" on 36"	36"	54"	8"	10"	46"	6100 lbs.



SECTION B-B



SECTION A-A

### COMPOSITE TEE

Alternate to standard tee with eccentric reducer (for pipes 36" and smaller).

FIGURE 6010.405 SHEET 2 OF 2

		REVISION
		NEW 04-21-09
<b>FIGURE 6010.405</b>	<b>STANDARD ROAD PLAN</b>	<b>SW-405</b>
		SHEET 2 of 2
REVISIONS: New. Replaces SUDAS Type "M-E" Manhole.		
 SUDAS DIRECTOR	 DESIGN METHODS ENGINEER	
<b>TEE-SECTION</b> <b>STORM SEWER MANHOLE</b>		