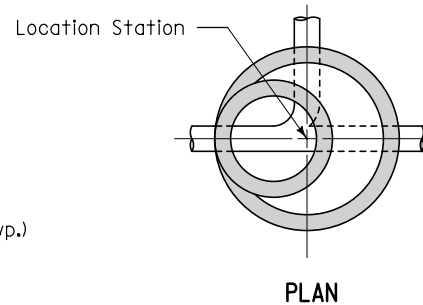
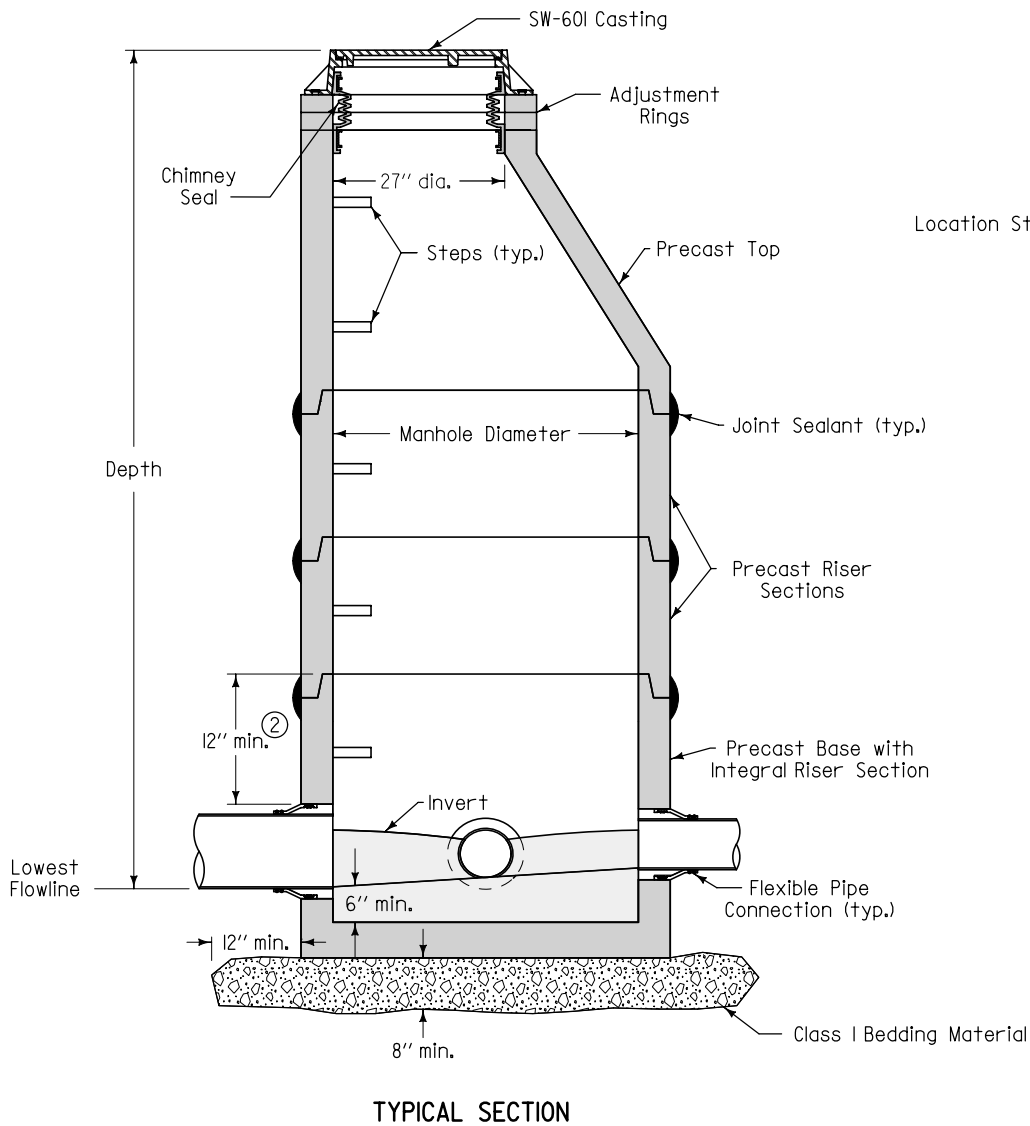


FIGURE 6010.301 SHEET 1 OF 1



- ① For additional configurations, maintain a minimum of 12 inches of concrete between vertical edges of pipe openings.
- ② 12 inch minimum riser height above all pipe openings.

Manhole Diameter (Inches)	Maximum Pipe Diameter (Inches) for 2 Pipes ①	
	At 180° Separation	At 90° Separation
48	24	18
60	36	24
72	42	30
84	48	36
96	60	42

SUDAS	Iowa Department of Transportation	REVISION
		NEW 04-21-09
<b>FIGURE 6010.301</b>	<b>STANDARD ROAD PLAN</b>	<b>SW-301</b>
		SHEET 1 of 1
REVISIONS: New. Replaces SUDAS Type "A" Manhole. Will replace RA-51		
SUDAS DIRECTOR		DESIGN METHODS ENGINEER

**CIRCULAR SANITARY SEWER MANHOLE**