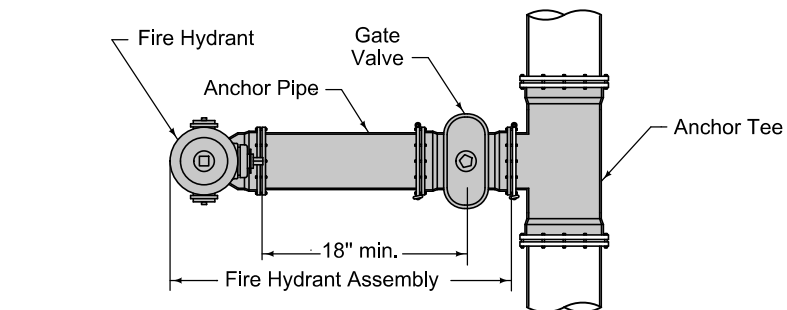
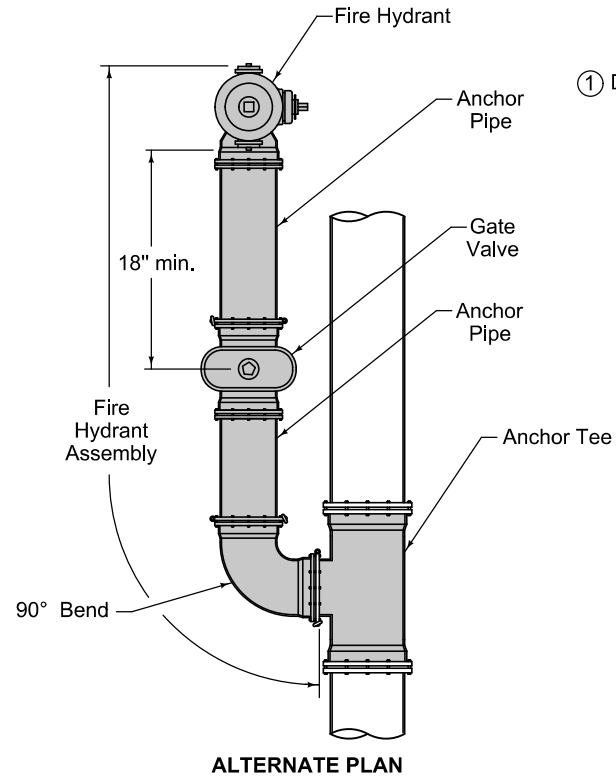


TYPICAL SECTION



TYPICAL PLAN



ALTERNATE PLAN

Use ductile iron pipe with restrained mechanical joints for fire hydrant assembly and anchor tee.

① Do not cover drain holes or tracer wire.

FIGURE 5020.201 SHEET 1 OF 1

| | | |
|---|-----------------------------------|---|
| SUDAS | Iowa Department of Transportation | REVISION |
| | | 1 04-19-11 |
| FIGURE 5020.201 | STANDARD ROAD PLAN | WM-201 |
| | | SHEET 1 of 1 |
| REVISIONS: Deleted Note 1 and references, renumbered Note 2, and deleted "typ" after "Tracer Wire Station". | | |
| <i>Paul D. Wigand</i> SUDAS DIRECTOR | | <i>Deanna Marfield</i> DESIGN METHODS ENGINEER |
| FIRE HYDRANT ASSEMBLY | | |