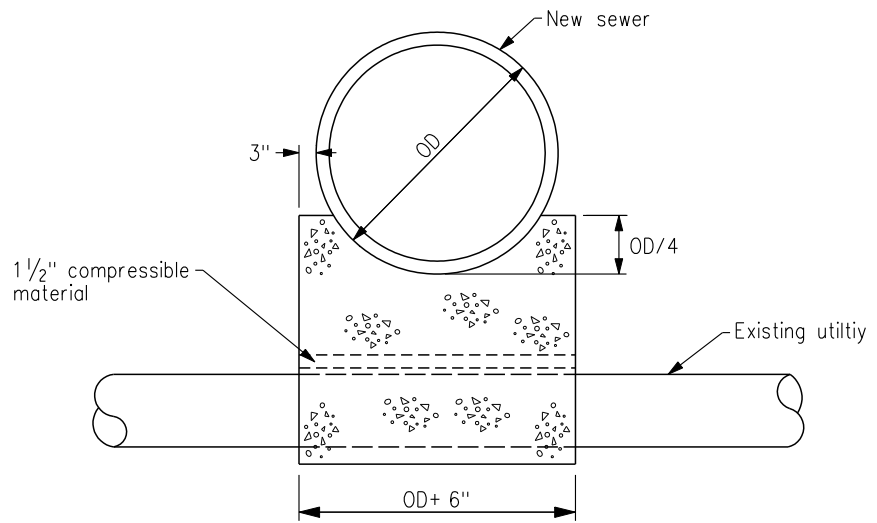


Form interior surface of footings. Keep the 12" utility clear zone free of concrete.




SECTION A-A

NOTE:

Install pipe support for all new sewers 12 inches in diameter or larger when clearance between bottom of new sewer and top of existing line is 12 inches or less.

OD = Outside pipe diameter

FIGURE 3010.901 SHEET 1 OF 1

 SUDAS	REVISION	
	NEW	10/21/08
	FIGURE 3010.901	
SHEET 1 OF 1		

SEWER PIPE SUPPORT OVER EXISTING UTILITY