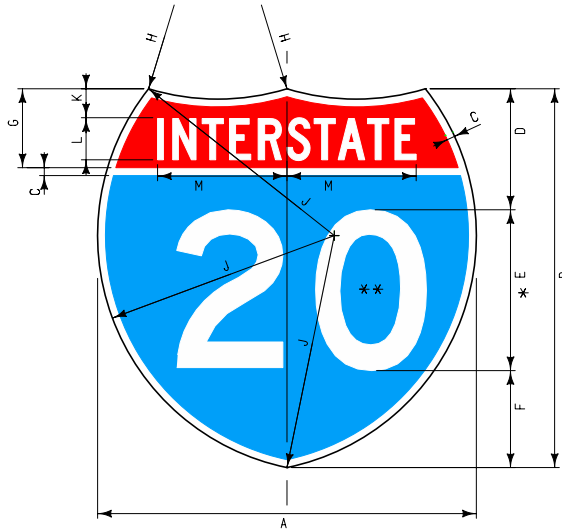


All dimensions are in inches unless otherwise designated.




* Series 2000 Standard Alphabets.
 ** Optically space numerals about vertical center line.

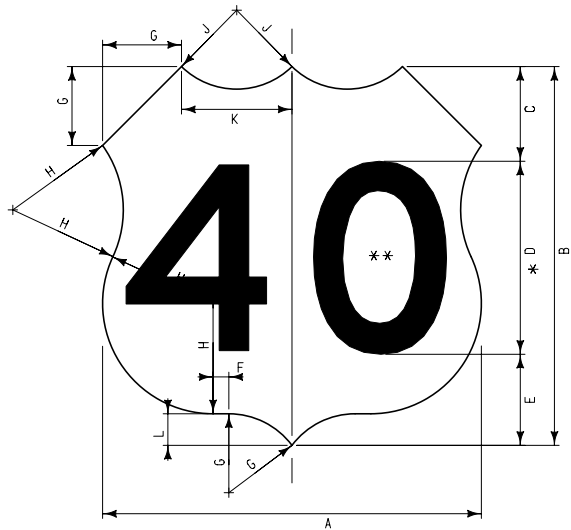


INTERSTATE ROUTE MARKERS

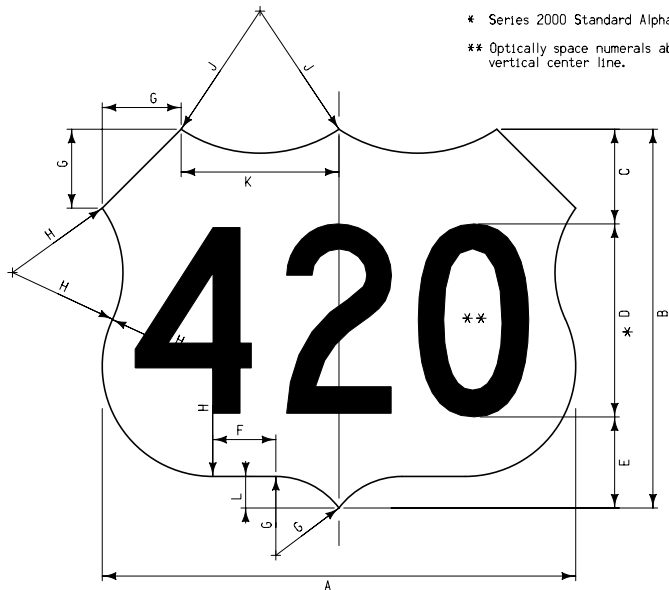
Sign	Width A	Height B	Border Thick. C	Numeral Top Offset D	Numeral Height & Font E	Numeral Bottom Offset F	Upper Section Height G	Top Radius H	Side Radius J	Text Top Offset K	Text Height & Font L	Text Length Lt & Rt M
1,2 Digit Shields	48	48	1	15.375	20 D	12.625	10	30	30	4	5 C	15.375
	36	36	0.75	11.5	15 D	9.5	7.5	22.5	22.5	2.75	4 C	12.3
	30	30	0.625	9.5	12.5 D	8	6.25	18.75	18.75	2.375	3.25 C	9.99375
	24	24	0.5	7.625	10 D	6.375	5	15	15	2	2.5 C	7.6875
	18	18	0.375	5.75	7.5 D	4.75	3.75	11.25	11.25	1.375	2 C	6.15
	12	12	0.25	3.75	5 D	3.25	2.5	7.5	7.5	1	1.25 C	3.84375
3 Digit Shields	48	60	1	15.375	20 C	12.625	10	48	34	4	5 E	21.9
	36	45	0.75	11.5	15 C	9.5	7.5	36	25.5	2.75	4 E	17.52
	30	37.5	0.625	9.5	12.5 C	8	6.25	30	21.25	2.375	3.25 E	14.235
	24	30	0.5	7.625	10 C	6.375	5	24	17	2	2.5 E	10.95
	18	22.5	0.375	5.75	7.5 C	4.75	3.75	18	12.75	1.375	2 E	8.76
	12	15	0.25	3.875	5 C	3.125	2.5	12	8.5	1	1.25 E	5.475

COLORS:
 Text: White
 Border: White
 Background (Interstate): Red
 Background (Route No.): Blue

 Iowa Department of Transportation	REVISION
	2 04-20-10
STANDARD ROAD PLAN	SI-121
	SHEET 1 of 4
<small>REVISIONS: Corrected background plaque dimensions on county route marker.</small>	
<i>Deanna McFalls</i> <small>APPROVED BY DESIGN METHODS ENGINEER</small>	
FABRICATION - SIGN LEGEND COMPONENTS	




* Series 2000 Standard Alphabets.
 ** Optically space numerals about vertical center line.

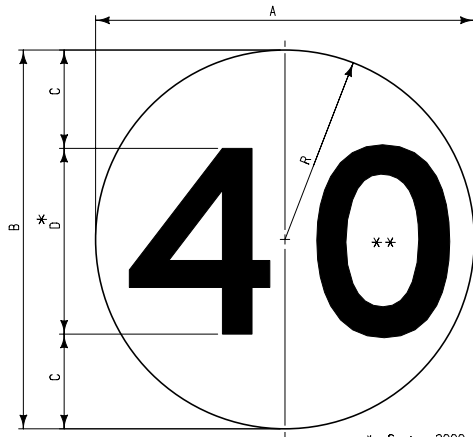


US ROUTE MARKERS

Sign	Width A	Height B	Numeral Top Offset C	Numeral Height & Font D	Numeral Bottom Offset E	Bottom Tangent Length F	Upper Section Height G	Corner & Top Radius H	Side Radius J	Top Radius K	Bottom Tangent Offset L	
1,2 Digit Shields	48	48	11	24	0	13	2	10	14	10	14	4
	36	36	8.25	18	0	9.75	1.5	7.5	10.5	7.5	10.5	3
	30	30	6.875	15	0	8.125	1.25	6.25	8.75	6.25	8.75	2.5
	24	24	5.5	12	0	6.5	1	5	7	5	7	2
	18	18	4.125	9	0	4.875	0.75	3.75	5.25	3.75	5.25	1.5
	12	12	2.75	6	0	3.25	0.5	2.5	3.5	2.5	3.5	1
3 Digit Shields	60	48	11	24	0	13	8	10	14	18	20	4
	45	36	8.25	18	0	9.75	6	7.5	10.5	13.5	15	3
	37.5	30	6.875	15	0	8.125	5	6.25	8.75	11.25	12.5	2.5
	30	24	5.5	12	0	6.5	4	5	7	9	10	2
	22.5	18	4.125	9	0	4.875	3	3.75	5.25	6.75	7.5	1.5
	15	12	2.75	6	0	3.25	2	2.5	3.5	4.5	5	1

COLORS:
 Text: Black
 Shield: White

 Iowa Department of Transportation	REVISION
	2 04-20-10
STANDARD ROAD PLAN	SI-121
SHEET 2 of 4	
REVISIONS: Corrected background plaque dimensions on county route marker.	
<i>Deanna McFalls</i> APPROVED BY DESIGN METHODS ENGINEER	
FABRICATION - SIGN LEGEND COMPONENTS	



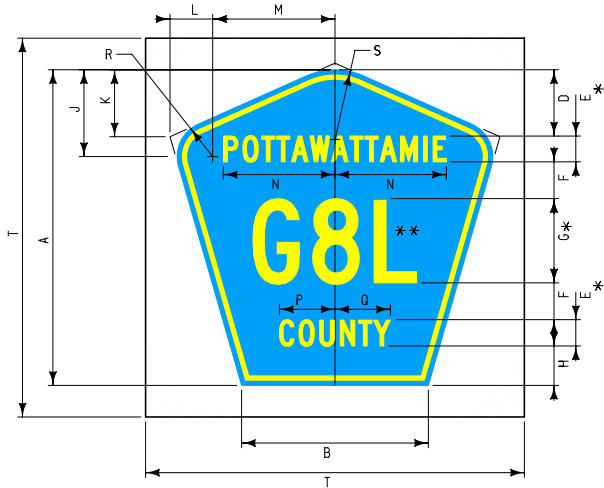
* Series 2000 Standard Alphabets.

** Optically space numerals about vertical center line.

STATE ROUTE MARKER

Sign	Width		Height		Numeral Offset	Numeral Height & Font	Radius
	A	B	C	D			
1,2 Digit Shields	48	48	12	24	D	24	
	36	36	9	18	D	18	
	30	30	7.5	15	D	15	
	24	24	6	12	D	12	
	18	18	4.5	9	D	9	
	12	12	3	6	D	6	
3 Digit Shields	48	48	14	20	C	24	
	36	36	10.5	15	C	18	
	30	30	9	12	C	15	
	24	24	7	10	C	12	
	18	18	5.25	7.5	C	9	
	12	12	3.5	5	C	6	

COLORS:
Text: Black
Shield: White




* Series 2000 Standard Alphabets.

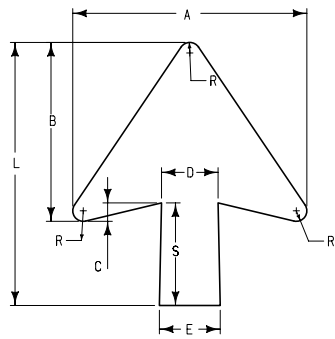
** Optically space numerals about vertical center line.

COUNTY ROUTE MARKER

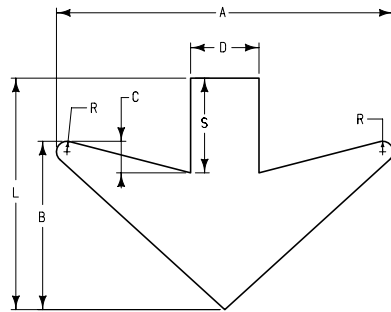
Sign	Height	Bottom Width		Border Thick.	County Top Offset		County Text Hgt & Font	Numeral Offset	Numeral Height & Font	County Bottom Offset	Radius Vertical Offset	Corner Vertical Offset	Corner Lateral Offset	Radius Lateral Offset	County Name Lt & Rt	County Text Lt & Rt P & Q	Side Radius	Top Radius	Backgrd Plaque
		A	B		C	D													
All Routes	30	17.75	0.5	6.25	2.5	C	3.5	8	C	3.75	8.25	6.5	3.875	11.625	VAR	5.275	3.375	6.625	36
	24	14.1875	0.375	5	2	C	2.5	7	C	3	6.625	5.125	3.125	9.3125	VAR	4.22	2.6875	5.3125	30
	18	10.625	0.25	4	1.5	C	2	5	C	2	5	3.375	2.375	7	VAR	3.165	2	5	24
	15	8.875	0.25	3.125	1.25	C	1.75	4	C	1.875	4.125	3.25	1.9375	5.8125	VAR	2.6375	1.6875	3.3125	18
	12	5.9375	0.1875	2.0625	0.8125	C	1	3	C	1.3125	2.75	2.1875	1.3125	3.875	VAR	1.7144	1.125	2.2188	12

COLORS:
Text: Yellow
Border: Yellow
Shield: Blue
Background: White

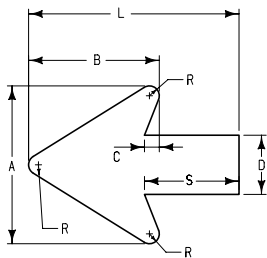
 Iowa Department of Transportation STANDARD ROAD PLAN <small>REVISIONS: Corrected background plaque dimensions on county route marker.</small> <i>Deanna McFalls</i> <small>APPROVED BY DESIGN METHODS ENGINEER</small>	<small>REVISION</small> 2 04-20-10
	SI-121 <small>SHEET 3 of 4</small>
	FABRICATION - SIGN LEGEND COMPONENTS



TYPE K



TYPE M



TYPE D

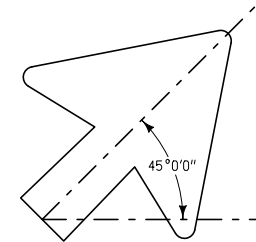
ID	Length L	Head Code	Head Width A	Head Length B	Draft C	Radius R	Tip	Shaft Width at Head D	Shaft Width at Tail E	Shaft Length S
K - 17	17	I-A	15.125	11.5625	1.3125	0.8125	Round	3.75	4.03	6.75
K - 20	20	I-B	18.25	14	1.5	0.75	Round	4.5	4.81	7.5
K - 25	25	I-C	22.25	17	1.75	1	Round	5.375	5.78	9.75
K - 30	30	I-B	18.25	14	1.5	0.75	Round	4.5	5.23	17.5

ID	Length L	Head Code	Head Width A	Head Length B	Draft C	Radius R	Tip	Shaft Width at Head D	Shaft Length S
M - 16	16	II-A	24	12	2.25	0.75	Point	4.875	6.25
M - 22	22	II-B	32	16	3	1	Point	6.5	9

ID	Length L	Head Code	Head Width A	Head Length B	Draft C	Radius R	Tip	Shaft Width at Head D	Shaft Length S
D - 4 x 6	6	III-A	4	3.3125	0.375	0.25	Round	1.5	3.0625
D - 4 x 10	10	III-A	4	3.3125	0.375	0.25	Round	1.5	7.0625
D - 5 x 7	7	III-B	5	4.140625	0.46875	0.3125	Round	1.875	3.328125
D - 5 x 11	11	III-B	5	4.140625	0.46875	0.3125	Round	1.875	7.328125
D - 6 x 8	8	III-C	6	4.96875	0.5625	0.375	Round	2.25	3.59375
D - 6 x 12	12	III-C	6	4.96875	0.5625	0.375	Round	2.25	7.59375
D - 8 x 10	10	III-D	8	6.625	0.75	0.5	Round	3	4.125
D - 8 x 14	14	III-D	8	6.625	0.75	0.5	Round	3	8.125
D - 10 x 12	12	III-E	10	8.28125	0.9375	0.625	Round	3.75	4.65625
D - 10 x 16	16	III-E	10	8.28125	0.9375	0.625	Round	3.75	8.65625

ARROW DESIGNATION:

Each arrow used on a guide sign is identified by a three part code as follows:
 Part 1 is the arrow ID number
 Part 2 is the angle in degrees between the center line of the arrow and the horizontal



K-25, 45

 Iowa Department of Transportation STANDARD ROAD PLAN	REVISION	
	2	04-20-10
	SI-121 SHEET 4 of 4	
REVISIONS: Corrected background plaque dimensions on county route marker.		
<i>Deanna McFalls</i> APPROVED BY DESIGN METHODS ENGINEER		
FABRICATION - SIGN LEGEND COMPONENTS		