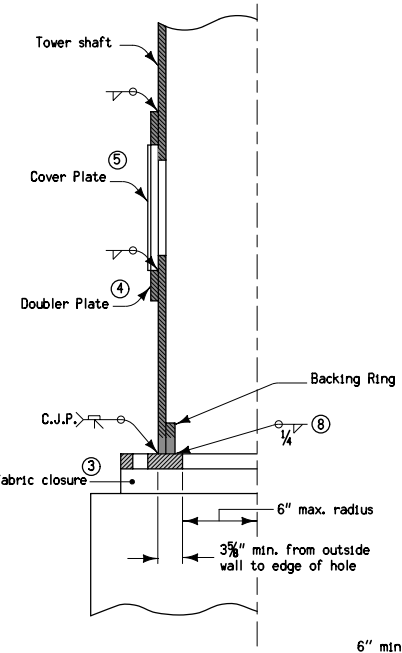


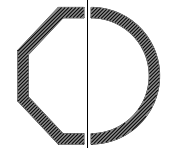
ELEVATION



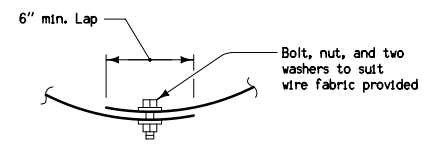
SECTION B-B

(Anchor Bolts not shown for clarity)

- ① Place a minimum of eight anchor bolts for all poles. Place bolts as shown in Section C-C.
- ② Tower may be fabricated with circular or polygonal cross-section.
- ③ Wire fabric material to comply with Materials I.M. 443.01: Rodent Guard, Expanded Metal. Place wire fabric around base plate and extended to the concrete footing. Fit fabric tight to the edge of the base plate and to the top surface of footing to prevent rodent entry.
- ④ Provide vent holes in doubler plate as needed for galvanizing. After galvanizing, fill holes with caulk approved for joint sealer.
- ⑤ Provide two handles on cover plate. Project cover plate beyond the hole at least 1 inch in all directions.
- ⑥ Use Anchor Bolt material meeting the requirements of Materials I.M. 453.08.
- ⑦ Joint sealer shall be a light gray non-sag urethane caulking sealer marketed for outdoor use as approved by the Engineer.
- ⑧ Backing ring shall be continuous or made continuous by a complete joint penetration weld.

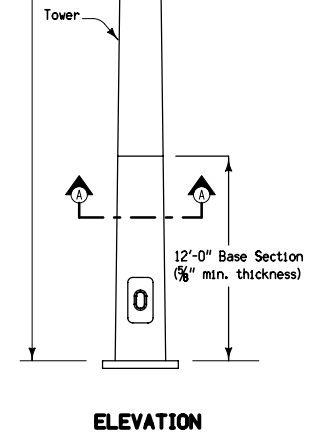


SECTION A-A ②

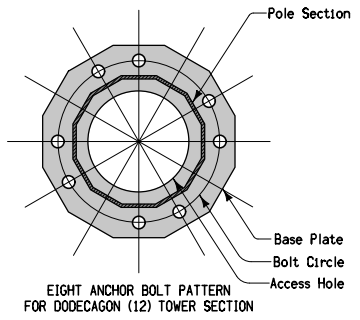


WIRE FABRIC CLOSURE ③

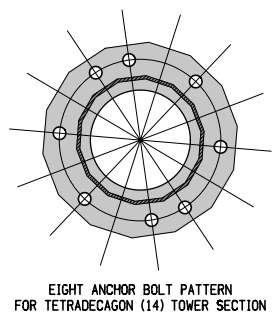
Possible Contract Item:
Lighting Tower



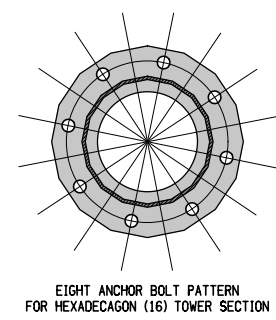
ELEVATION



EIGHT ANCHOR BOLT PATTERN FOR DODECAGON (12) TOWER SECTION



EIGHT ANCHOR BOLT PATTERN FOR TETRADECAGON (14) TOWER SECTION



EIGHT ANCHOR BOLT PATTERN FOR HEXADECAGON (16) TOWER SECTION

SECTION C-C ①

 Iowa Department of Transportation STANDARD ROAD PLAN	REVISION 5 10-20-09
	RM-44
	SHEET 1 of 1

REVISIONS: New release of previously voted standard.
Deanna Mifflin
APPROVED BY DESIGN METHODS ENGINEER

LIGHTING TOWER