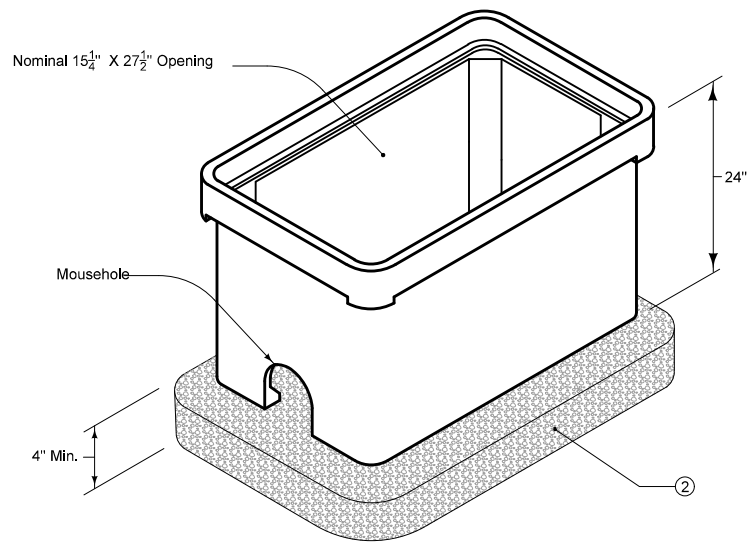


COVER



BOX



JUNCTION BOX DETAILS

Alternate designs may be submitted to the Engineer for approval.

Install junction box per manufacturer's recommendations.

- ① In locations subject to pedestrian traffic, install junction box covers with approved anti-skid pattern.
- ② Granular material complying with Gradation No. 3 or 5 of the Standard Specifications.

Possible Contract Item:
Handholes and Junction Boxes

 Iowa Department of Transportation	REVISION	
	1	10-16-12
STANDARD ROAD PLAN	RM-38	
	SHEET 1 of 1	
<small>REVISIONS: Modified existing notes. Added circle note 2.</small>		
 <small>APPROVED BY DESIGN METHODS ENGINEER</small>		
JUNCTION BOX (FIBER REINFORCED CONCRETE)		