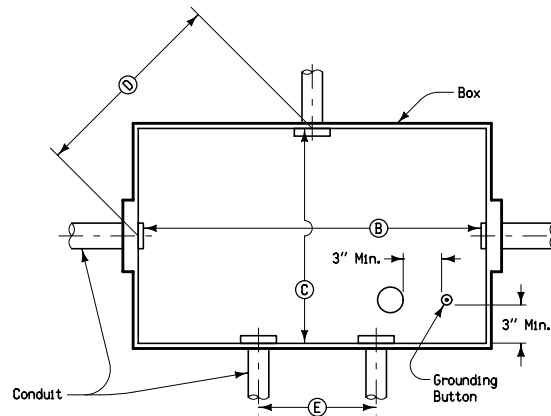


JUNCTION BOX



JUNCTION BOX REQUIREMENTS

For straight pulls Min. 'B' = 8 diameters of larger conduit
 For opposite wall Min. 'C' = 6 diameters of larger conduit
 For right angle turns Min. 'D' = 8 diameters of larger conduit

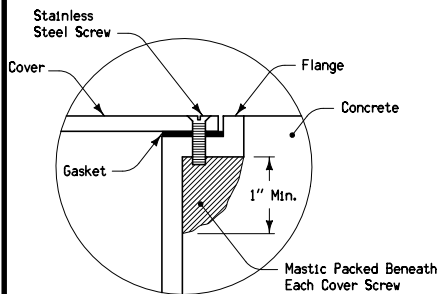
The details indicated hereon are for typical junction boxes used in electrical circuitry for highway lighting. Alternate design may be submitted to the Engineer for approval.

Covers of junction boxes installed in locations subject to pedestrian traffic shall have an approved anti-skid pattern. Approved galvanized steel covers may be substituted for cast iron.

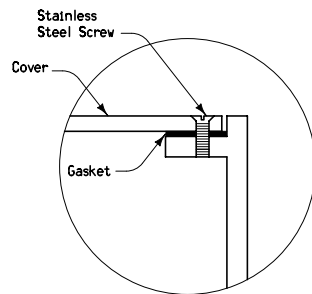
Grounding buttons shall be fitted with 3/8" x 3/4" brass screws unless otherwise specified.

Type, size and location of holes will be shown on the plans.

Slip holes shall be used only for junction box drains unless otherwise specified on plans.

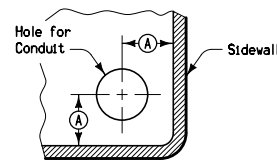


TYPE 1



TYPE 2

CORNER DETAILS OF JUNCTION BOX



CONDUIT LOCATION FOR LOCK NUT AND BUSHING CLEARANCE - 'A'										
Conduit Size	1/2"	3/4"	1"	1 1/4"	1 1/2"	2"	2 1/2"	3"	3 1/2"	4"
Minimum Clearance	1"	1"	1 1/8"	1 3/8"	1 1/2"	1 3/4"	2 1/8"	2 1/2"	2 7/8"	3 1/8"

MINIMUM SPACING BETWEEN CONDUIT CENTERS - 'E'										
Size	1/2"	3/4"	1"	1 1/4"	1 1/2"	2"	2 1/2"	3"	3 1/2"	4"
1/2"	1 1/4"	1 3/8"	1 5/8"	1 7/8"	2"	2 3/8"	2 5/8"	3"	3 1/4"	3 5/8"
3/4"		1 1/2"	1 3/4"	2"	2 1/4"	2 3/4"	2 5/4"	3"	3 3/8"	3 3/4"
1"			2"	2 1/4"	2 3/8"	2 3/4"	3"	3 3/8"	3 3/4"	4"
1 1/4"				2 1/2"	2 5/8"	3"	3 1/4"	3 5/8"	3 3/4"	4 1/4"
1 1/2"					2 3/4"	3 1/8"	3 3/8"	3 3/4"	4"	4 3/4"
2"						3 1/2"	3 3/4"	4 1/4"	4 3/8"	4 3/4"
2 1/2"							4"	4 3/8"	4 3/4"	5"
3"								4 3/4"	5"	5 3/8"
3 1/2"									5 1/4"	5 3/4"
4"										6"

Contract Items:
 Handholes and Junction Boxes

<p>STANDARD ROAD PLAN</p>	REVISION 1 10-21-08
	RM-37 SHEET 1 of 1
	REVISIONS: Removed requirements for 5 threads in holes. Revised notes to remove specification language.
APPROVED BY DESIGN METHODS ENGINEER <i>Deanna Mailford</i>	
JUNCTION BOX (CAST IRON)	