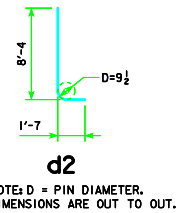
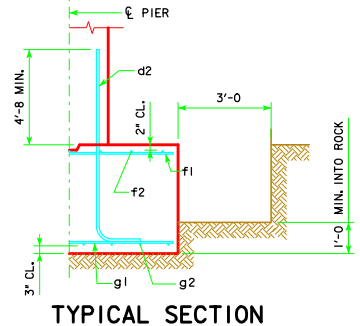
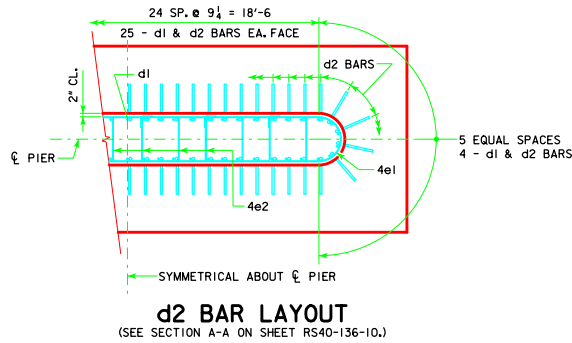


H IN FT.	CL - CL ABUT. BRG.	FOOTING SIZE
16 TO 18	160'-0"	4' x 8' x 27'
	180'-0"	4' x 9' x 27'
	200'-0"	4' x 9' x 27'
	220'-0"	4' x 9' x 29'
	240'-0"	4' x 10' x 29'
	260'-0"	4' x 10' x 29'
	280'-0"	4' x 10' x 31'
	300'-0"	4' x 10' x 31'
	320'-0"	4' x 11' x 31'
	340'-0"	4' x 11' x 31'
19 TO 21	160'-0"	4' x 8' x 27'
	180'-0"	4' x 9' x 27'
	200'-0"	4' x 9' x 27'
	220'-0"	4' x 9' x 29'
	240'-0"	4' x 10' x 29'
	260'-0"	4' x 10' x 29'
	280'-0"	4' x 10' x 31'
	300'-0"	4' x 10' x 31'
	320'-0"	4' x 11' x 31'
	340'-0"	4' x 11' x 31'
22 TO 24	160'-0"	4' x 8' x 27'
	180'-0"	4' x 9' x 27'
	200'-0"	4' x 9' x 27'
	220'-0"	4' x 9' x 29'
	240'-0"	4' x 10' x 29'
	260'-0"	4' x 10' x 29'
	280'-0"	4' x 10' x 31'
	300'-0"	4' x 10' x 31'
	320'-0"	4' x 11' x 31'
	340'-0"	4' x 11' x 31'
25 TO 27	160'-0"	4' x 8' x 27'
	180'-0"	4' x 9' x 27'
	200'-0"	4' x 9' x 27'
	220'-0"	4' x 9' x 29'
	240'-0"	4' x 10' x 29'
	260'-0"	4' x 10' x 29'
	280'-0"	4' x 10' x 31'
	300'-0"	4' x 10' x 31'
	320'-0"	4' x 11' x 31'
	340'-0"	4' x 11' x 31'
28 TO 30	160'-0"	4' x 9' x 27'
	180'-0"	4' x 9' x 27'
	200'-0"	4' x 9' x 29'
	220'-0"	4' x 9' x 29'
	240'-0"	4' x 10' x 29'
	260'-0"	4' x 10' x 29'
	280'-0"	4' x 10' x 31'
	300'-0"	4' x 10' x 31'
	320'-0"	4' x 11' x 31'
	340'-0"	4' x 11' x 33'
31 TO 33	160'-0"	4' x 9' x 27'
	180'-0"	4' x 9' x 27'
	200'-0"	4' x 9' x 29'
	220'-0"	4' x 9' x 29'
	240'-0"	4' x 10' x 29'
	260'-0"	4' x 10' x 29'
	280'-0"	4' x 10' x 31'
	300'-0"	4' x 11' x 31'
	320'-0"	4' x 11' x 31'
	340'-0"	4' x 11' x 33'
34 TO 36	160'-0"	4' x 9' x 27'
	180'-0"	4' x 9' x 27'
	200'-0"	4' x 9' x 29'
	220'-0"	4' x 9' x 29'
	240'-0"	4' x 10' x 29'
	260'-0"	4' x 10' x 29'
	280'-0"	4' x 10' x 31'
	300'-0"	4' x 11' x 31'
	320'-0"	4' x 11' x 31'
	340'-0"	4' x 11' x 33'

H IN FT.	CL - CL ABUT. BRG.	FOOTING SIZE
37 TO 40	160'-0"	4' x 9' x 27'
	180'-0"	4' x 9' x 29'
	200'-0"	4' x 9' x 29'
	220'-0"	4' x 10' x 29'
	240'-0"	4' x 10' x 29'
	260'-0"	4' x 10' x 31'
	280'-0"	4' x 10' x 31'
	300'-0"	4' x 11' x 31'
	320'-0"	4' x 11' x 31'
	340'-0"	4' x 11' x 33'

FOOTING SIZE	REINFORCING STEEL (ONE FOOTING)				TOTAL WEIGHT (L.B.)	STRUCTURAL CONCRETE (CY)
	BAR	NO., SIZE & SPACING	LENGTH	WEIGHT (L.B.)		
4' x 8' x 27'	d2	58 - #9 AS SHOWN	9'-11"	1956	3107	32.0
	f1	27 - #5 @ 1'-0"	7'-8"	216		
	f2	8 - #5 @ 1'-0"	26'-8"	223		
	g1	27 - #6 @ 1'-0"	7'-8"	311		
	g2	10 - #6 @ 0'-10"	26'-8"	401		
4' x 9' x 27'	d2	58 - #9 AS SHOWN	9'-11"	1956	3345	36.0
	f1	27 - #5 @ 1'-0"	8'-8"	244		
	f2	9 - #5 @ 1'-0"	26'-8"	250		
	g1	31 - #6 @ 0'-10 1/2"	8'-8"	404		
	g2	9 - #7 @ 1'-0"	26'-8"	491		
4' x 9' x 29'	d2	58 - #9 AS SHOWN	9'-11"	1956	3785	38.7
	f1	29 - #5 @ 1'-0"	8'-8"	262		
	f2	9 - #5 @ 1'-0"	28'-8"	269		
	g1	35 - #6 @ 0'-10"	8'-8"	456		
	g2	11 - #8 @ 0'-10"	28'-8"	842		
4' x 10' x 29'	d2	58 - #9 AS SHOWN	9'-11"	1956	4137	43.0
	f1	29 - #5 @ 1'-0"	9'-8"	292		
	f2	10 - #5 @ 1'-0"	28'-8"	299		
	g1	34 - #7 @ 0'-10"	9'-8"	672		
	g2	12 - #8 @ 0'-10"	28'-8"	918		
4' x 10' x 31'	d2	58 - #9 AS SHOWN	9'-11"	1956	4794	45.9
	f1	31 - #5 @ 1'-0"	9'-8"	313		
	f2	10 - #5 @ 1'-0"	30'-8"	320		
	g1	37 - #7 @ 0'-10"	9'-8"	731		
	g2	18 - #8 @ 0'-6 1/2"	30'-8"	1474		
4' x 11' x 31'	d2	58 - #9 AS SHOWN	9'-11"	1956	5271	50.5
	f1	31 - #5 @ 1'-0"	10'-8"	345		
	f2	11 - #5 @ 1'-0"	30'-8"	352		
	g1	37 - #8 @ 0'-10"	10'-8"	1054		
	g2	15 - #9 @ 0'-9"	30'-8"	1564		
4' x 11' x 33'	d2	58 - #9 AS SHOWN	9'-11"	1956	5945	53.8
	f1	33 - #5 @ 1'-0"	10'-8"	367		
	f2	11 - #5 @ 1'-0"	32'-8"	375		
	g1	40 - #8 @ 0'-10"	10'-8"	1139		
	g2	15 - #10 @ 0'-9"	32'-8"	2108		



FOOTING NOTES:

THESE SPREAD FOOTINGS ARE DESIGNED AND DETAILED TO BE USED WITH THE CAP AND COLUMN DETAILS OF THE TEE PIERS AS SHOWN ON SHEET RS40-136-10.

THESE SPREAD FOOTINGS SHALL EXTEND AT LEAST 12 INCHES INTO SUITABLE FOUNDATION ROCK AND THE LAST 12 INCHES OF ROCK EXCAVATION SHALL BE TO NEAT LINES OF MASONRY. THE FOUNDATION ROCK SHALL HAVE A MINIMUM LRFD NOMINAL BEARING RESISTANCE OF 30 KIIPS PER SQUARE FOOT (ALLOWABLE BEARING VALUE OF AT LEAST 10 KIIPS PER SQUARE FOOT).

05-13 LATEST REVISION DATE	APPROVED BY BRIDGE ENGINEER	STANDARD DESIGN - 40' ROADWAY, 3 SPAN BRIDGES ROLLED STEEL BEAM BRIDGES JUNE, 2010	
		TEE PIER - SPREAD FOOTINGS 20° SKEW - SHEET 1	RS40-144-10