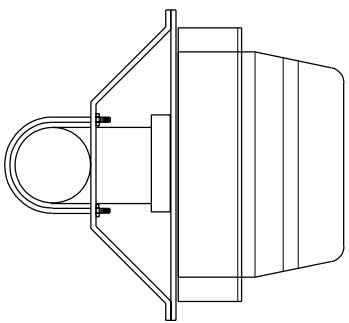
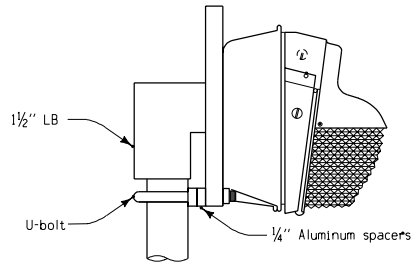


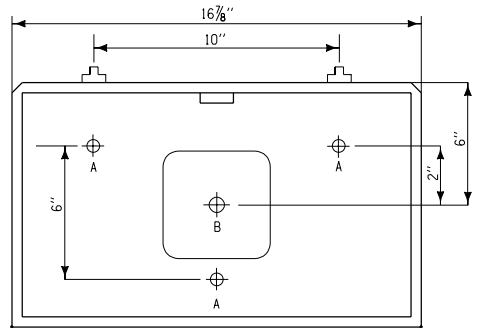
CASE A  
TOP MOUNTED



SECTION A-A

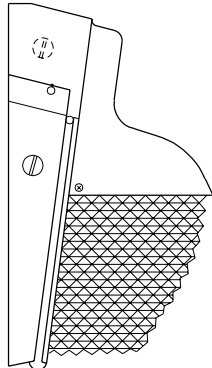


CASE B  
STANCHION MOUNTED



HOLE	DESCRIPTION
A	7/8" (Min.) Mounting Hole
B	Entry for 1 1/2" conduit

SIMPLIFIED BACK VIEW



CASE C  
WALL MOUNTED

**GENERAL NOTES:**

Materials and methods of construction shall be in accordance with with current Standard and Supplemental Specifications.

Details shown hereon are typical. Alternate designs may be submitted to the Engineer for approval. Minimum requirements and equivalent materials must be used. Refer to appropriate Standard Road Plans and project plans for any additional requirements for particular installations shown on plans.

Each luminaire shall provide a ballast housing to be attached to, or integral with, the luminaire housing.

Method of Measurement and basis of Payment shall be in accordance with Section 2523 of the Standard and Supplemental Specifications.

LAYOUT LEGEND	
High pressure sodium (Low Mounting Height)	■

**Iowa Department of Transportation**  
Project Development Division

**STANDARD ROAD PLAN RM-41**

REVISION: Change title to conform to the specifications. REVISION NO. 2

APPROVED BY: *James C. Christ* 01-10-00 DESIGN METHODS ENGINEER REVISION DATE 04-25-00

UNDERDECK LIGHTING  
(HIGH PRESSURE SODIUM LUMINAIRE)