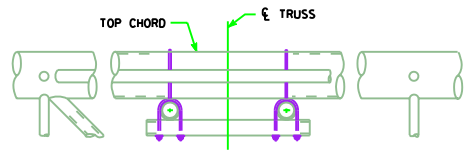


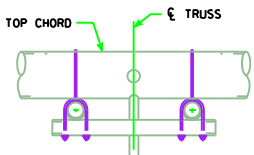
DETAIL "A" DAMPING DEVICE ATTACHMENT FOR ϕ TRUSS LOCATED BETWEEN PANEL POINTS

DETAIL "B" DAMPING DEVICE ATTACHMENT FOR ϕ TRUSS LOCATED AT PANEL POINTS

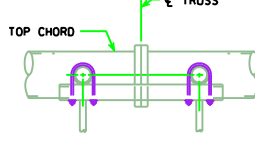
DETAIL "C" DAMPING DEVICE ATTACHMENT FOR ϕ TRUSS LOCATED AT ϕ OF CHORD SPLICES



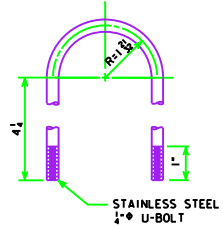
PART SECTION R-R



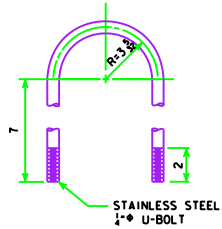
PART SECTION S-S



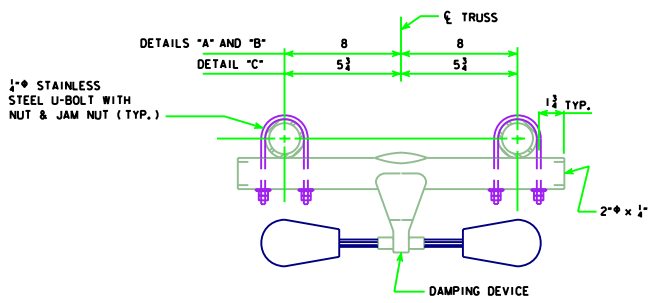
PART SECTION T-T



DAMPING DEVICE STAINLESS STEEL U-BOLT DETAIL



TOP CHORD STAINLESS STEEL U-BOLT DETAIL



TRUSS DAMPING DEVICE DETAIL

NOTE: IN SECTIONS A-A, B-B AND C-C, THE DAMPING DEVICE IS NOT SHOWN.

NOTE: ONE TRUSS DAMPER LOCATED AT ϕ OF TRUSS IS REQUIRED PER TRUSS. ALCOA ALUMINUM TRUSS DAMPER 1708-17.1 (31 lb STOCKBRIDGE TYPE) OR APPROVED EQUAL SHALL BE USED. THE COST OF DAMPING DEVICE IS TO BE INCLUDED IN THE PRICE BID FOR SIGN TRUSS.

LATEST REVISION DATE <i>Thomas E. McQuinn</i> APPROVED BY BRIDGE ENGINEER		
	STANDARD DESIGN ALUMINUM OVERHEAD SIGN TRUSS WITH GALVANIZED STEEL SUPPORTS FEBRUARY, 2006	
	DAMPING DEVICE DETAILS 50' TO 100' SPANS	STO-14-06