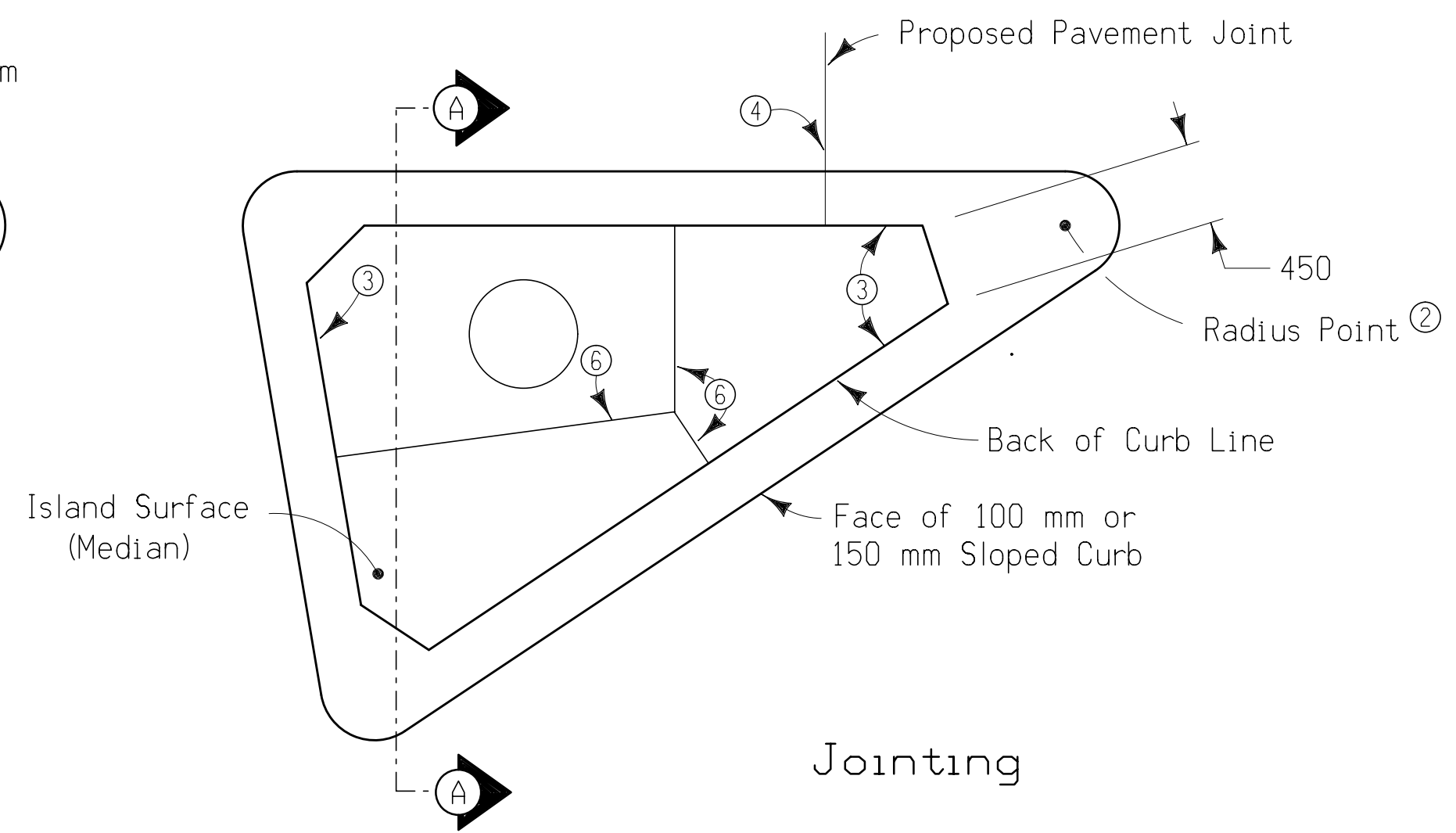
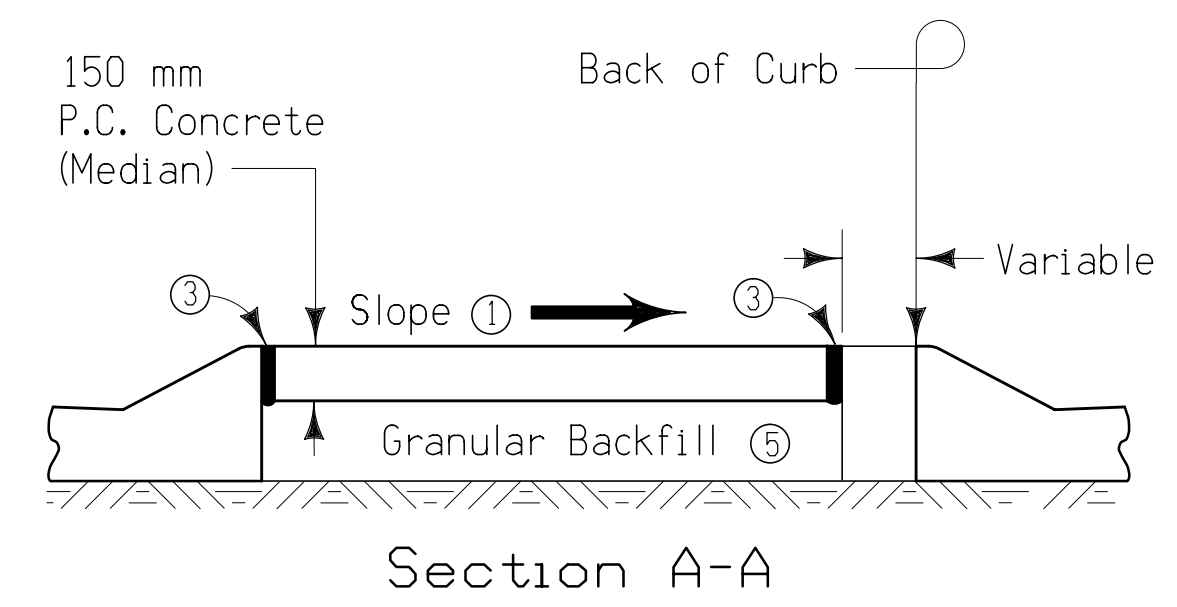


Location



Jointing



Section A-A

- ① Surface of island shall be shaped as necessary to drain.
- ② Radius point is located at the back of curb line. Contractor shall pave across and between curbs on a straight line as indicated.
- ③ 'E' Joint, see PV-1.
- ④ Construct 'C' Joint In Curb as needed to continue intersection pavement joints. See PV-1.
- ⑤ The furnishing and placing of granular backfill shall be incidental to the price bid for Portland Cement Concrete Median.
- ⑥ 'C' Joints as required. See PV-1.

6144

04-20-10

Dimensions in mm unless noted.

TRAFFIC ISLAND WITH SLOPED CURB