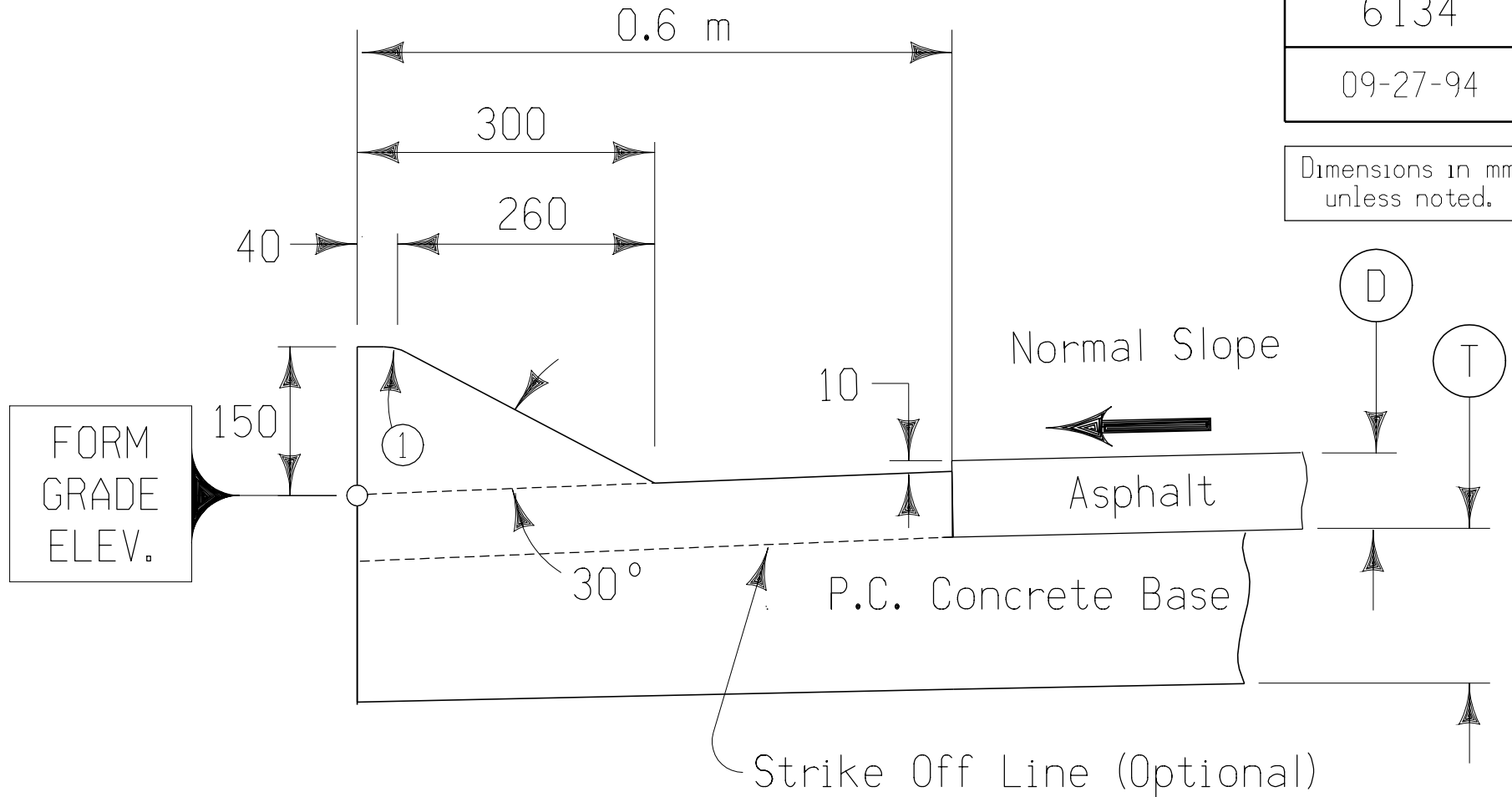


6134

09-27-94

Dimensions in mm
unless noted.



① 50 mm Radius.

Ⓣ Thickness specified for P.C. Concrete Base

ⓓ Depth of Asphalt

P.C. CONCRETE BASE
WITH SLOPED CURB