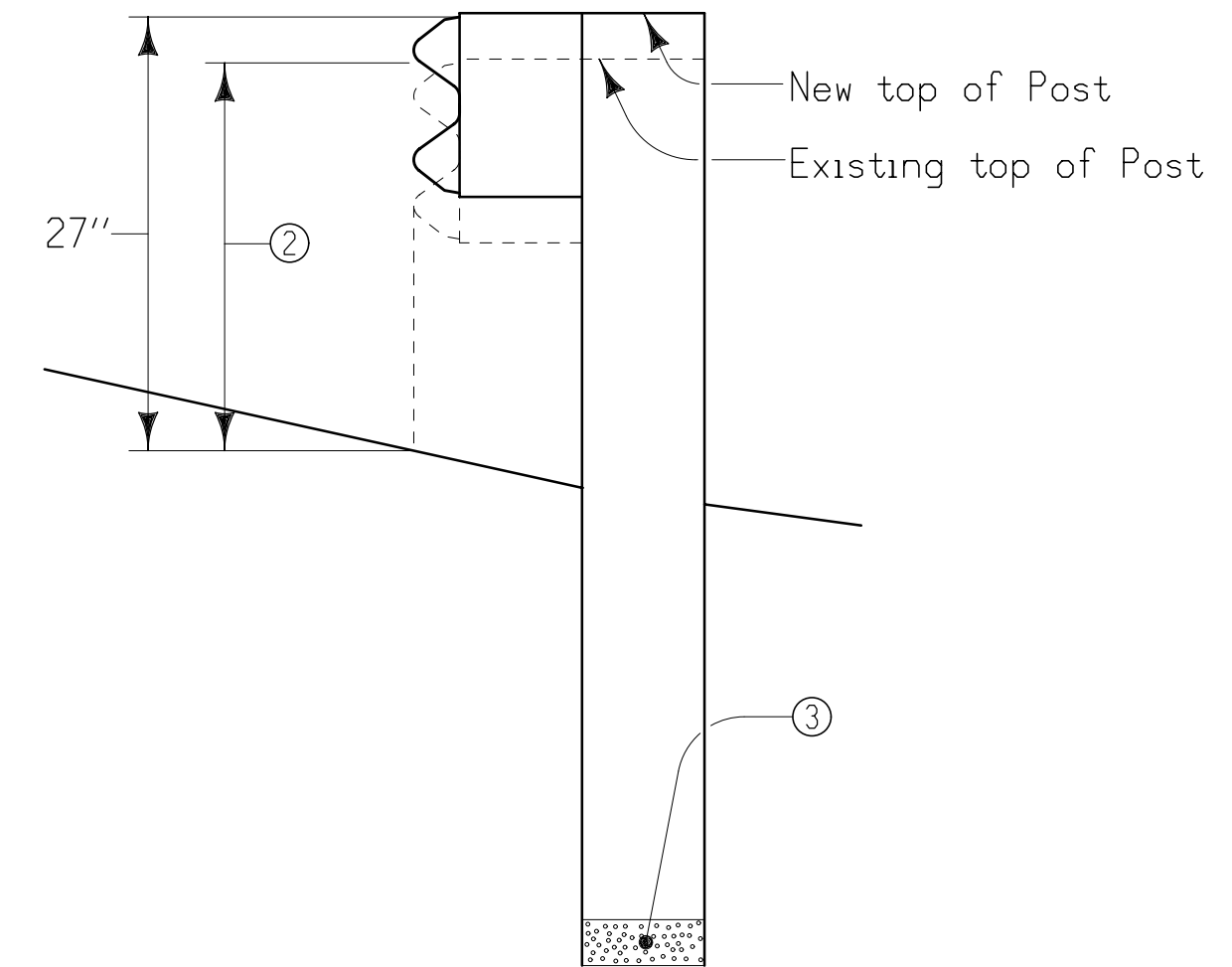
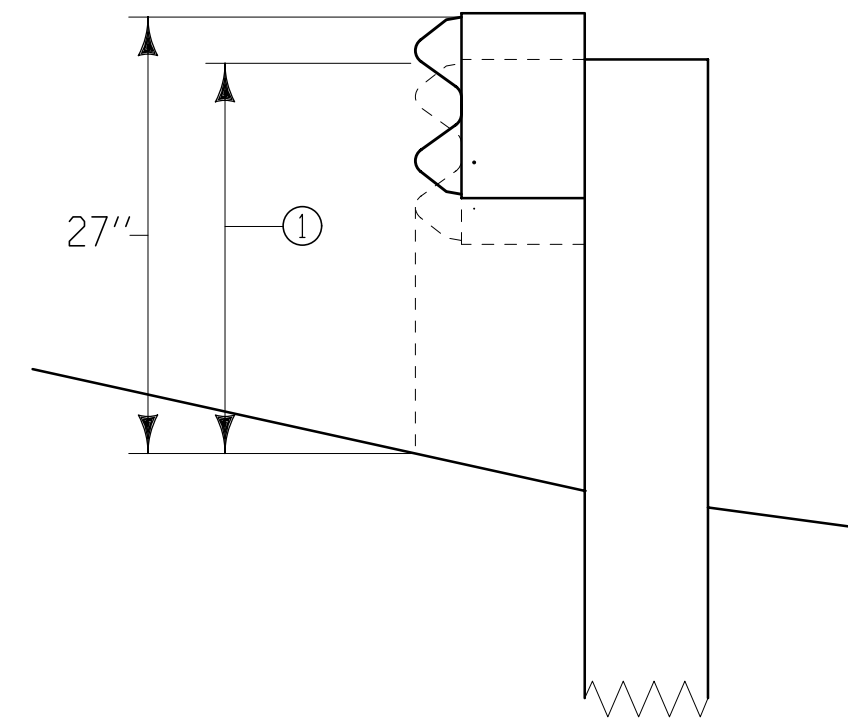


① More than 24" but less than 25", raise guardrail and blockout on post to get 27" mounting height.
The length of formed beam guardrail that must be removed and reinstalled will be paid for as "Guardrail Height Adjustment".
The cost of raising the blockout shall be incidental to the cost of "Guardrail Height Adjustment".

- IF (H) = 27" to 25", Raising guardrail not required.
- (H) = 25" to 24", Raise guardrail and blockout on post, See Detail 'A'.
- (H) = 24" or less, Post must be raised, See Detail 'B'.



- ② Less than 24" raise guardrail spacer block and post to get 27" mounting height.
The length of formed beam guardrail that must be removed and reinstalled, and the cost for raising guardrail posts as shown in Detail 'B' shall be paid for as "Guardrail Height Adjustment".
- ③ Remove post, fill hole with sand and drive post to grade or raise post by using approved pressure injected filler material.

DETAILS FOR
RAISING
BEAM GUARDRAIL