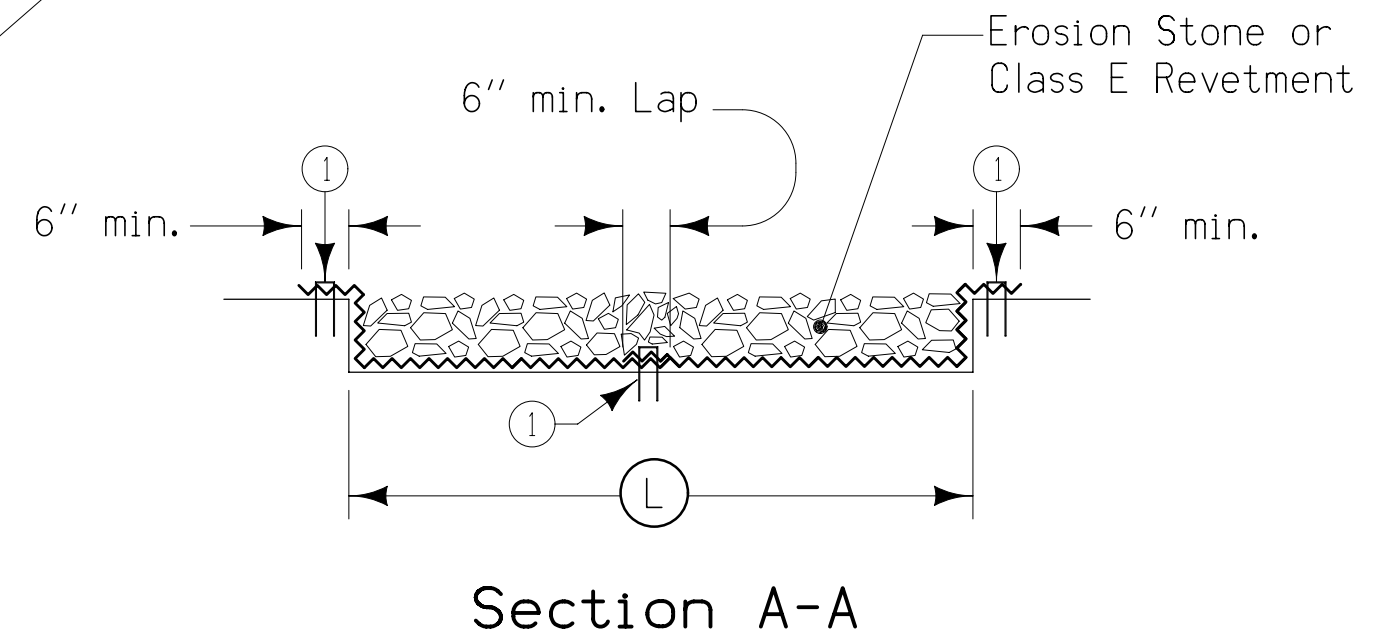
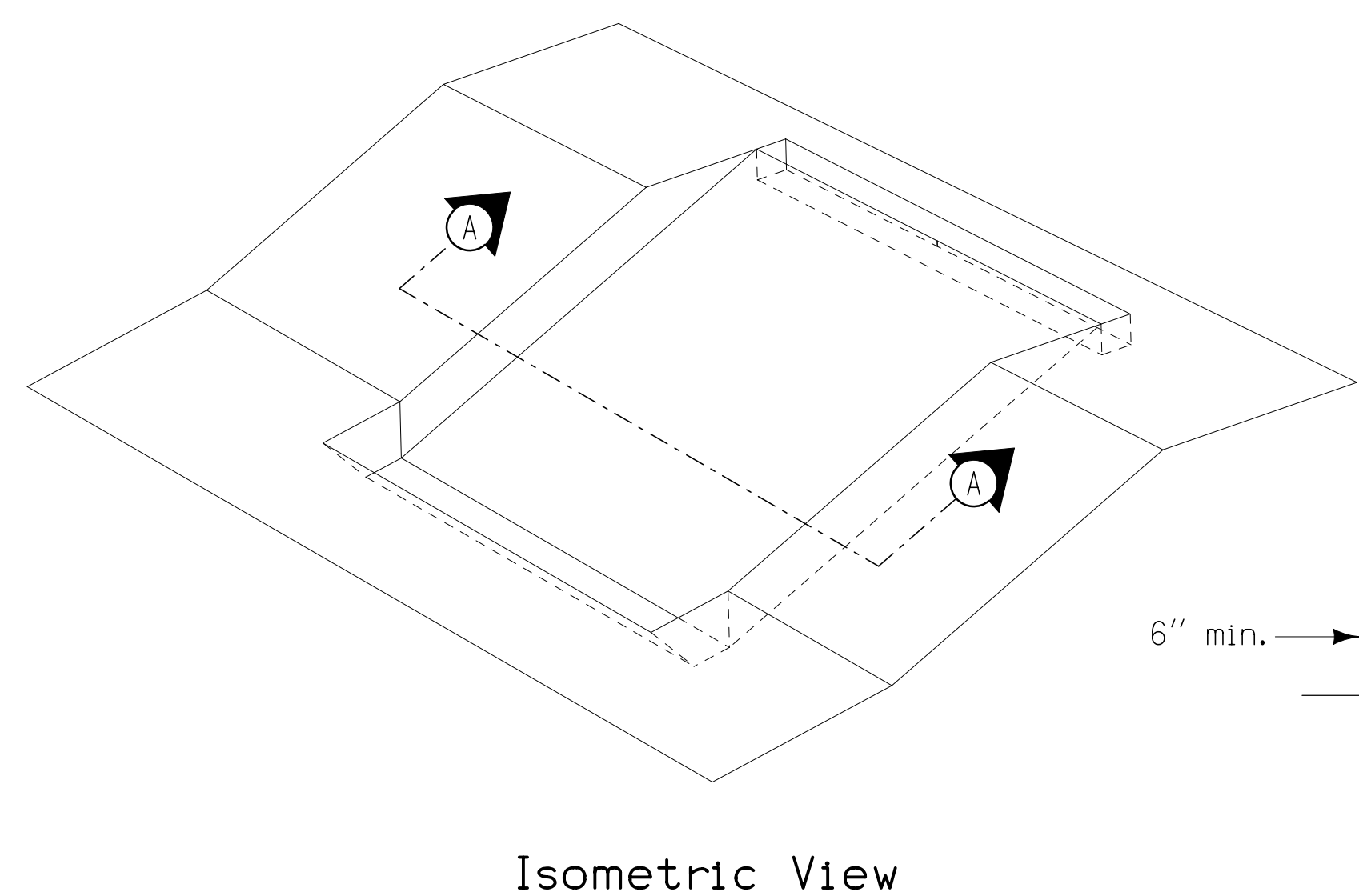
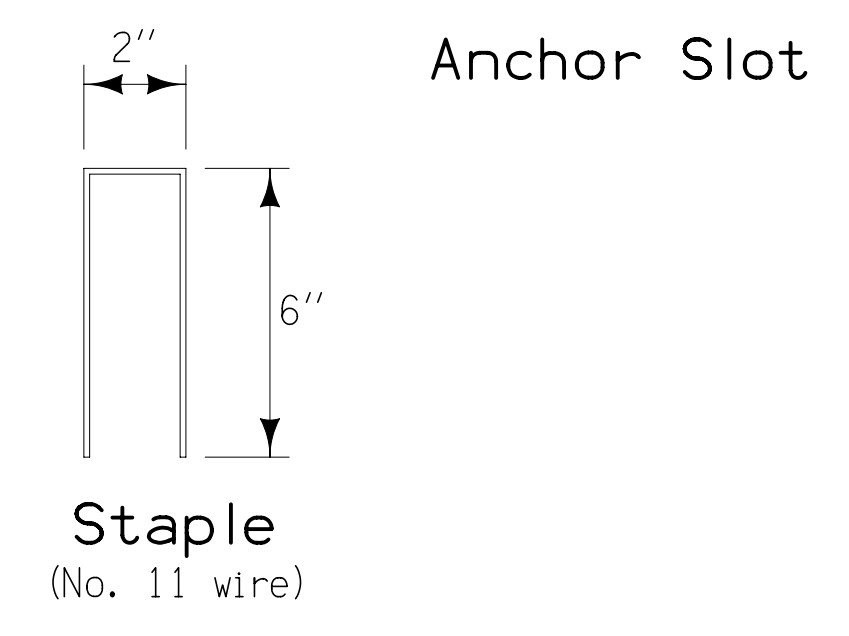
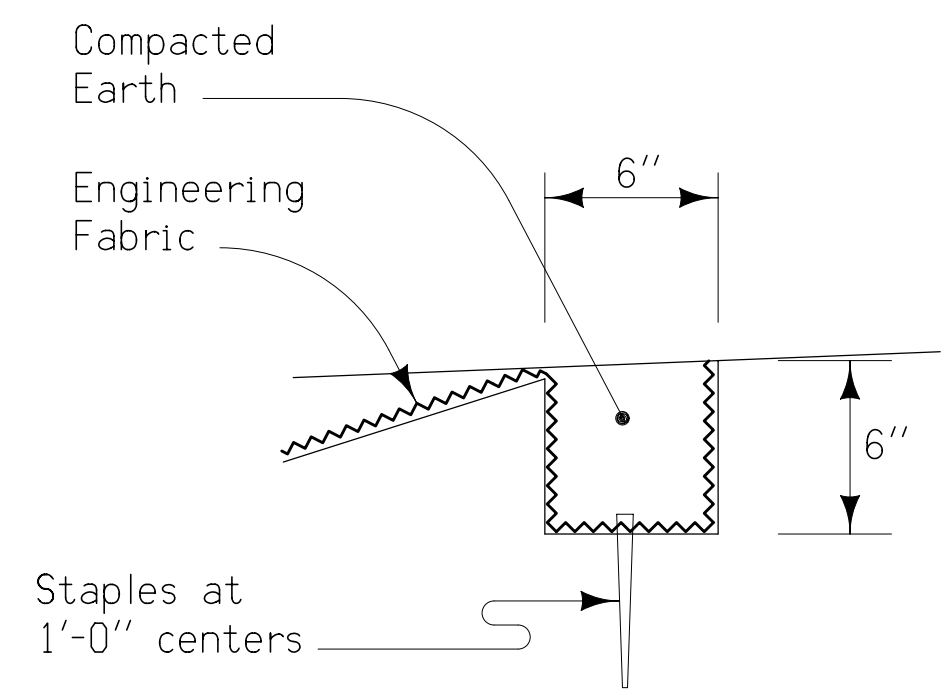
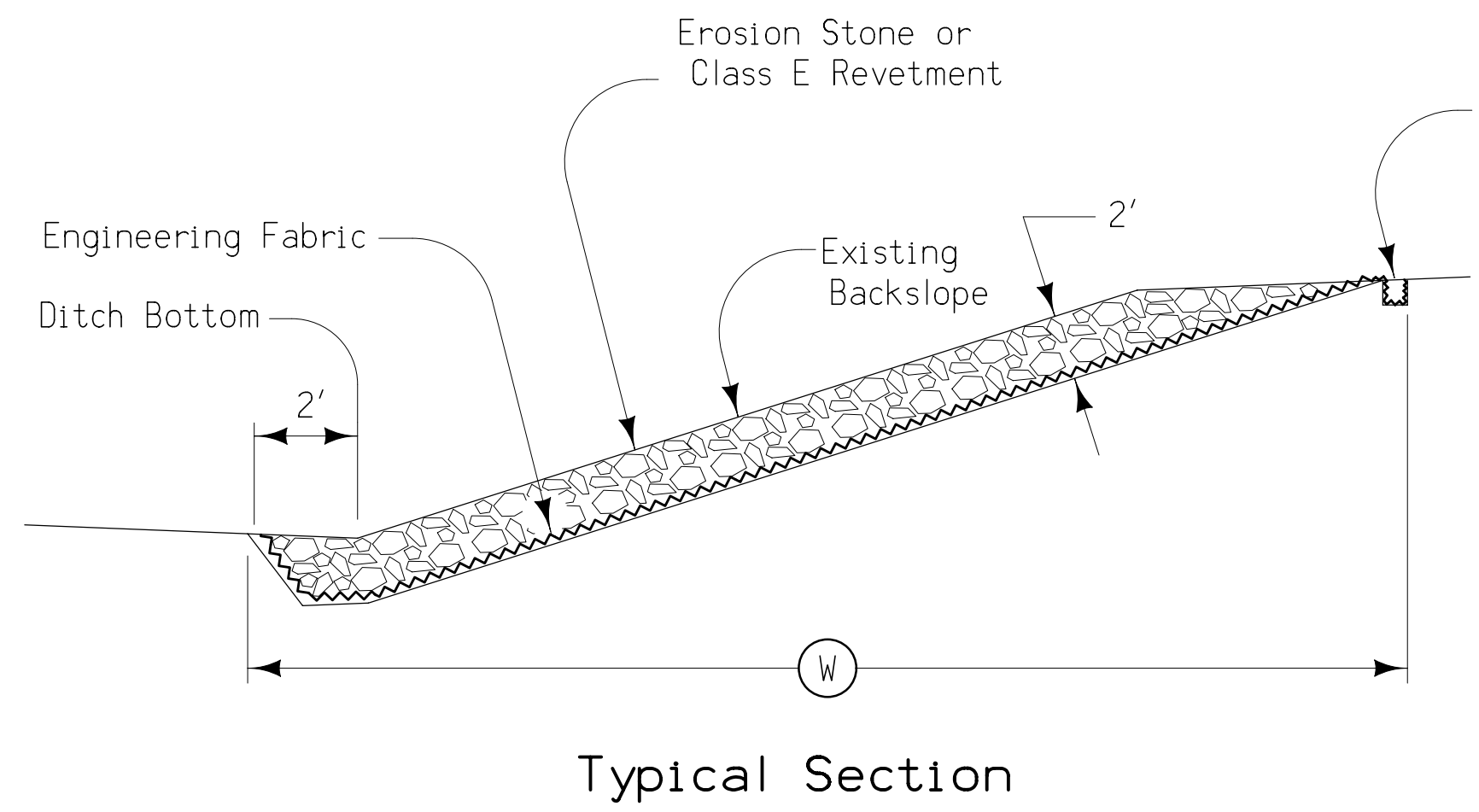


4405  
04-20-10



① Staples at 12" centers  
Refer to Tabulation 100-23 for additional information.

ROCK SLOPE PROTECTION