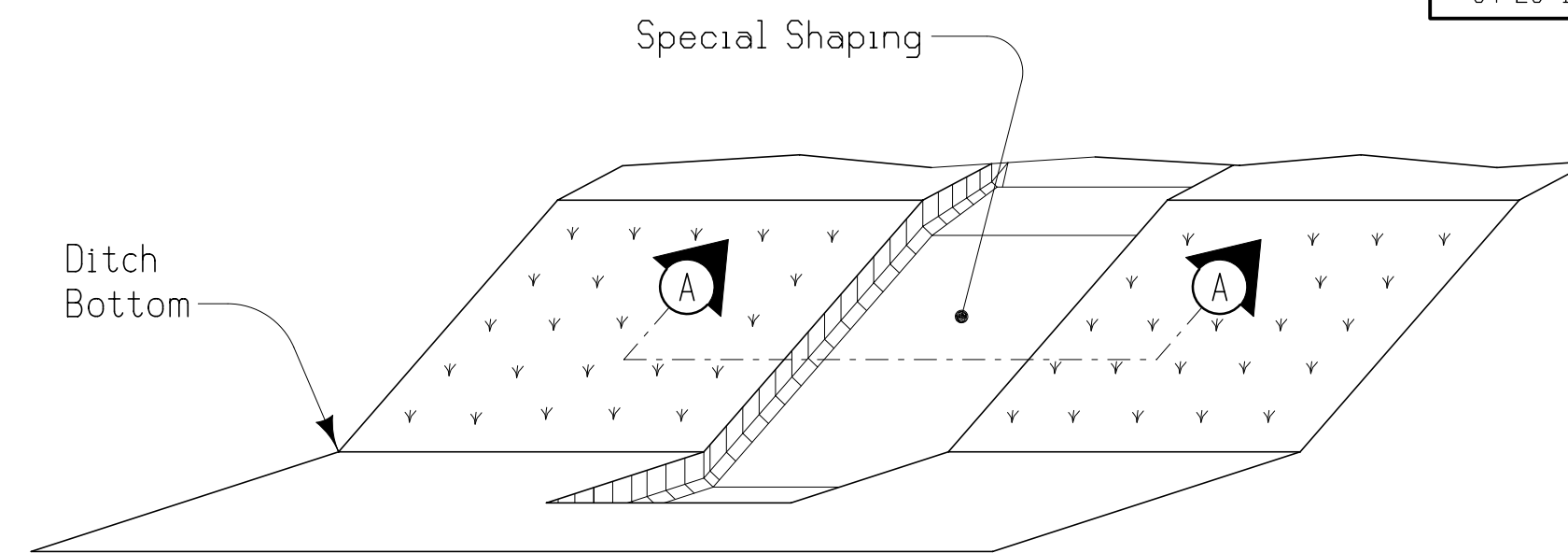
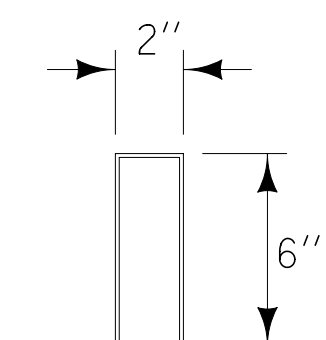


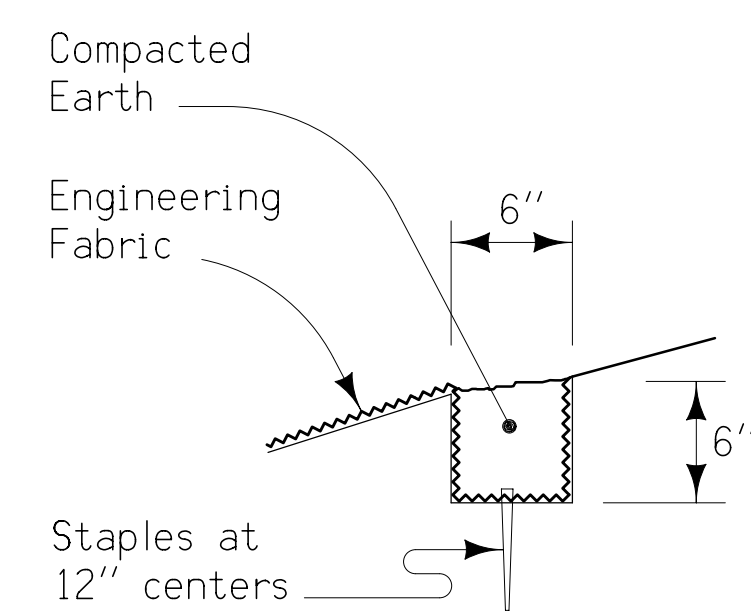
Section A-A



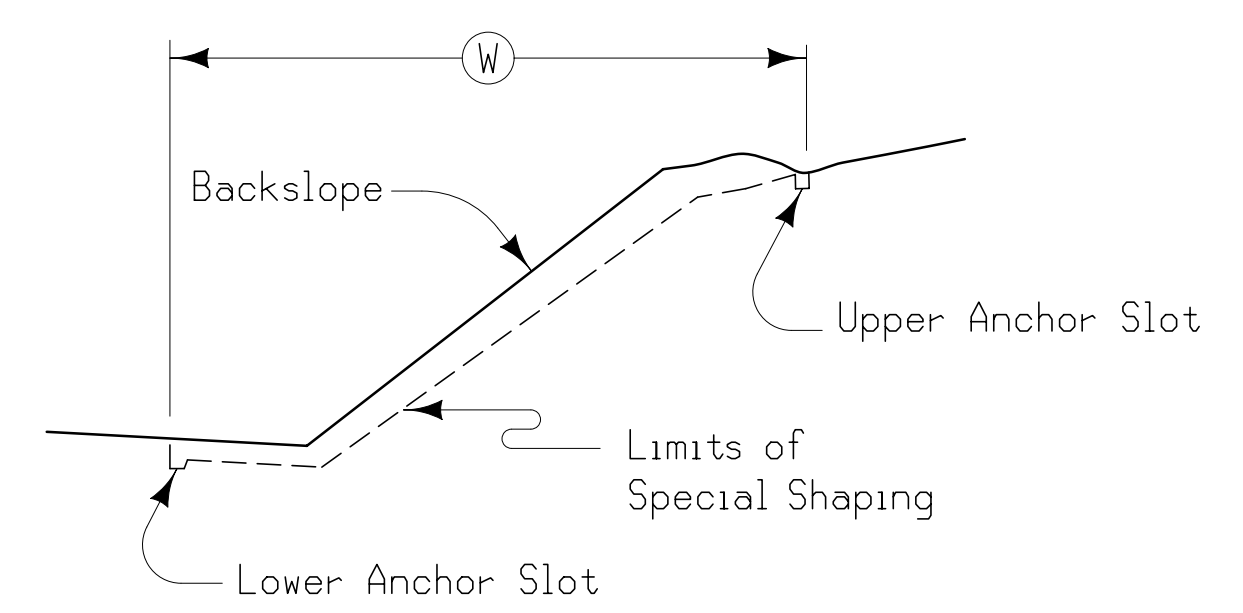
Isometric View



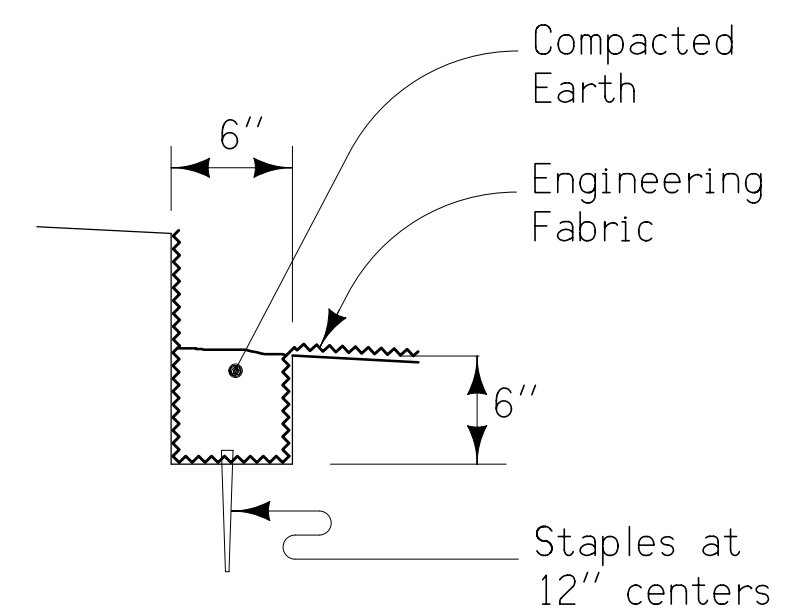
Staple  
(No. 11 wire)



Upper Anchor Slot



Typical Section



Lower Anchor Slot

ROCK FLUME

Refer to Tabulation 100-23 for additional information.