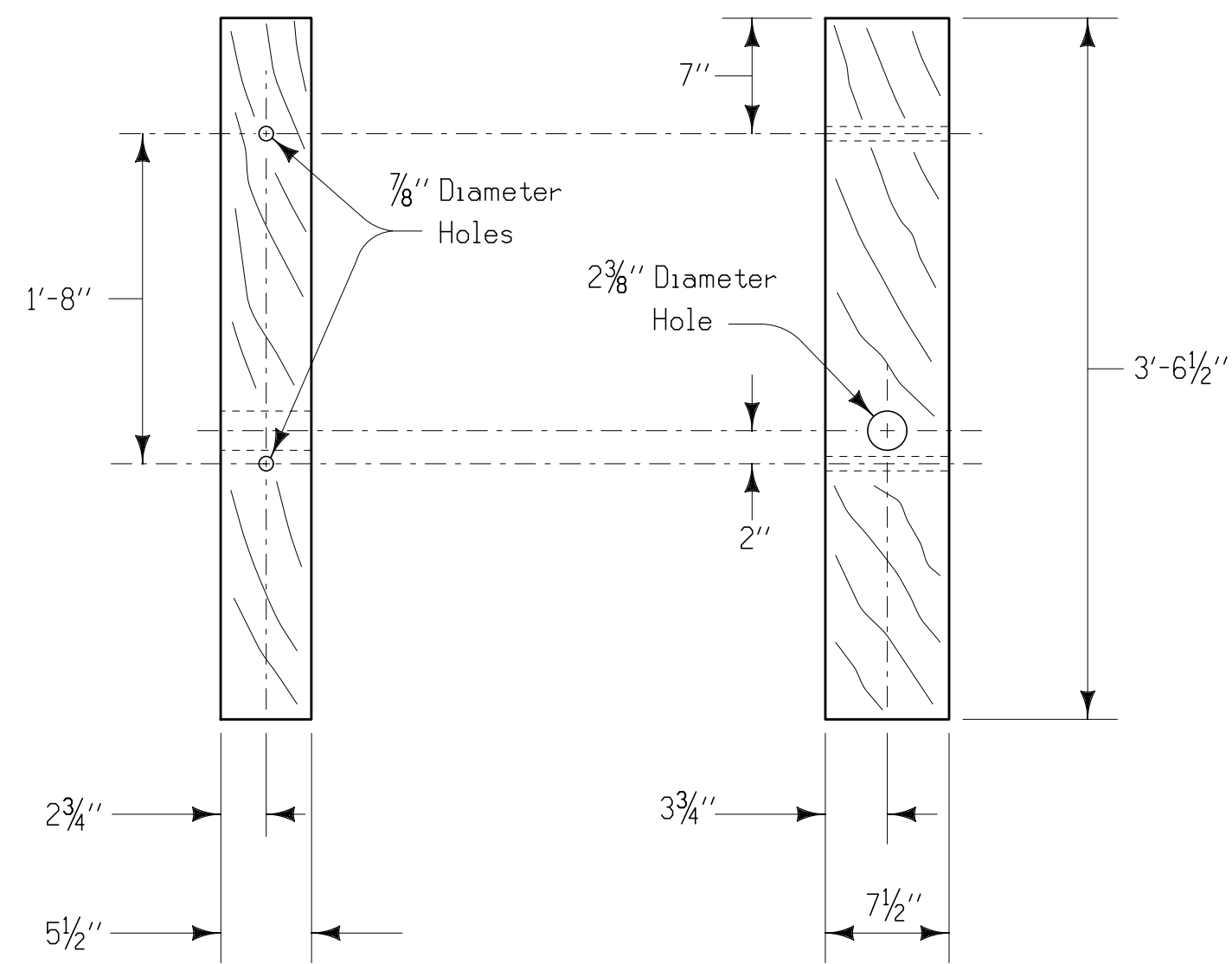


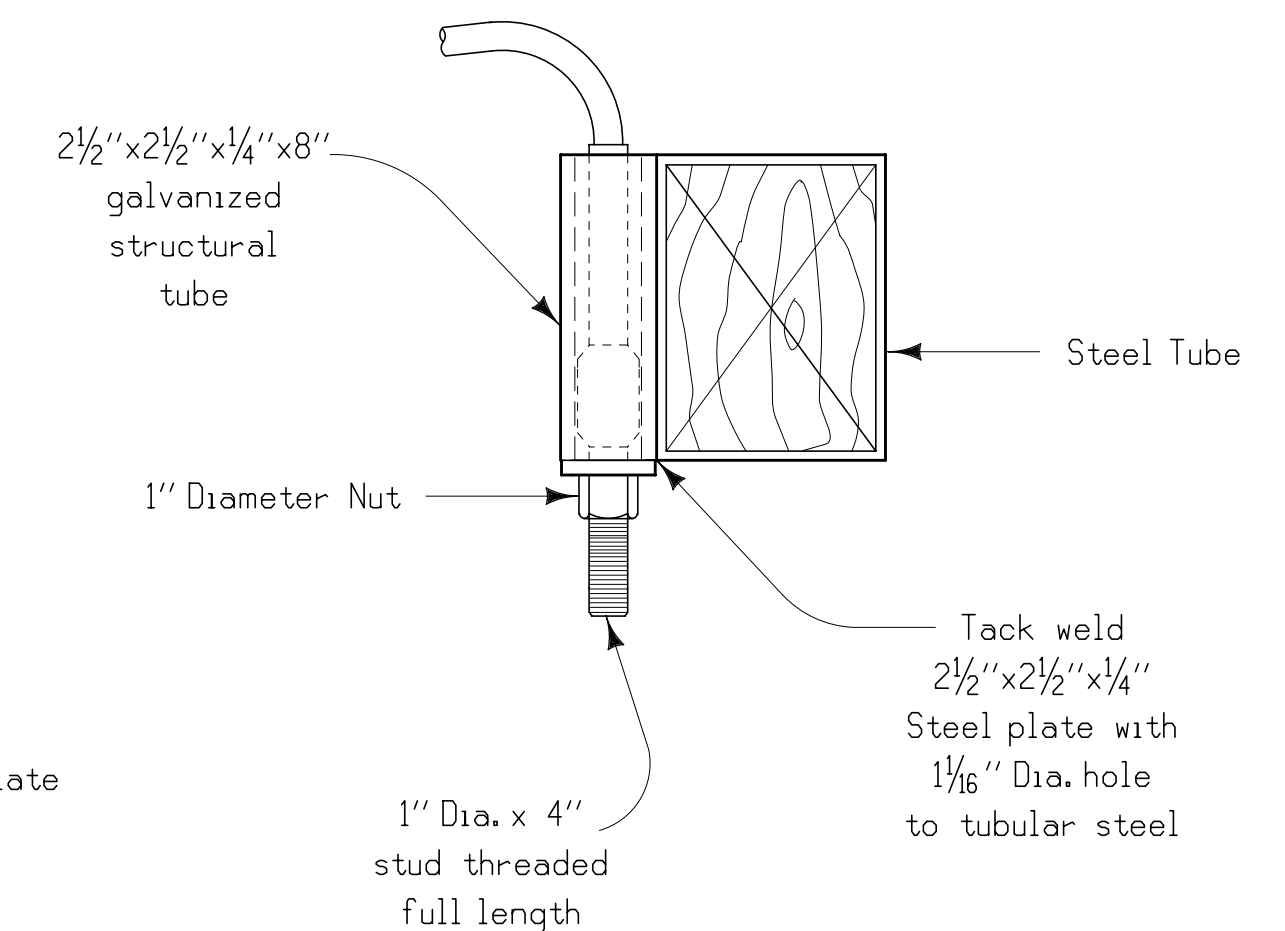
STEEL TUBE



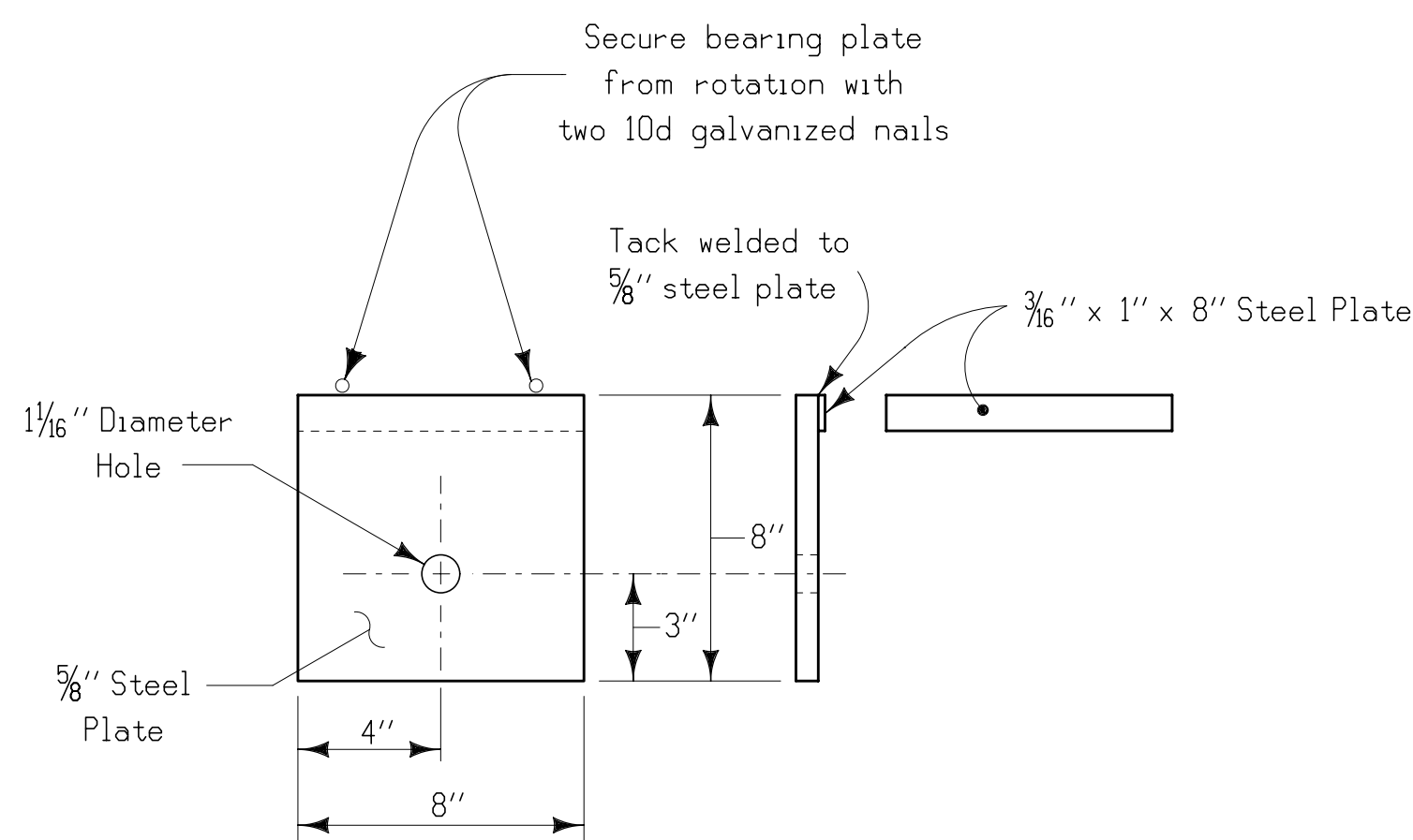
WOOD BREAKAWAY POST

GENERAL NOTES:

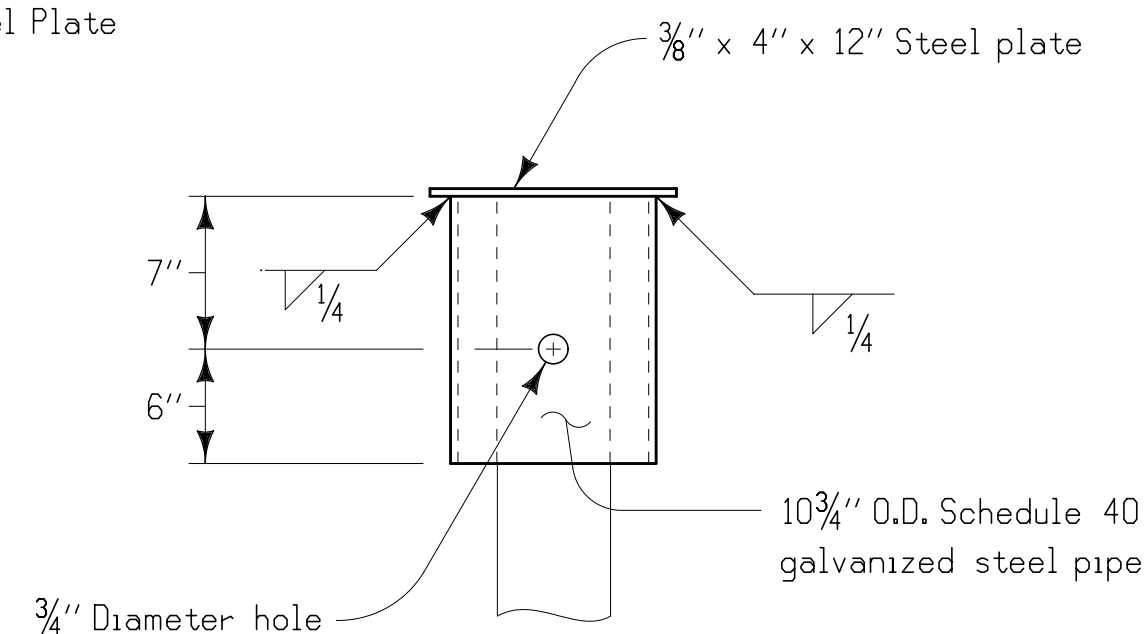
All angles, channels, and plates shall conform to the requirements of ASTM A 36 and structural tubing to ASTM A 500. All structural steel shall be galvanized in accordance with ASTM A123. No punching, drilling, cutting, or welding will be permitted after galvanizing.



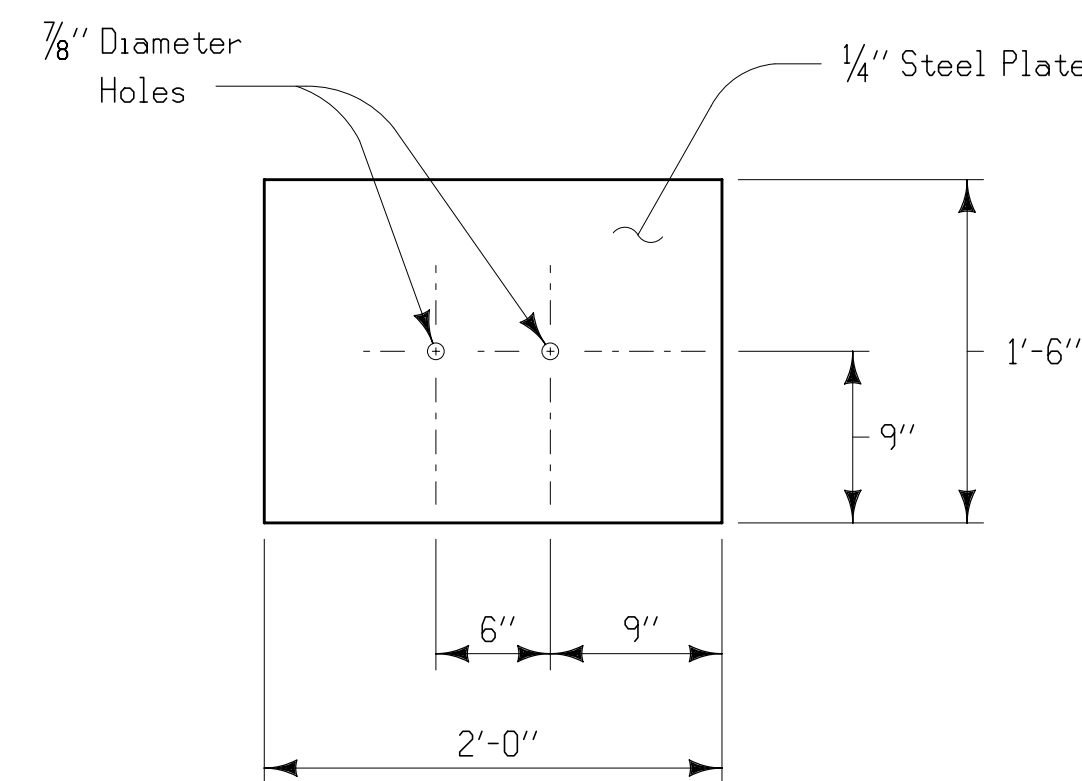
DETAIL A



BEARING PLATE



DETAIL B



SOIL PLATE

<i>Highway Division</i>		
DETAIL SHEET		540-23(2)
REVISION: NEW	REVISION NO.	REVISION DATE
	New	10-02-01

BEAM GUARDRAIL TERMINAL
(LOW SPEED)