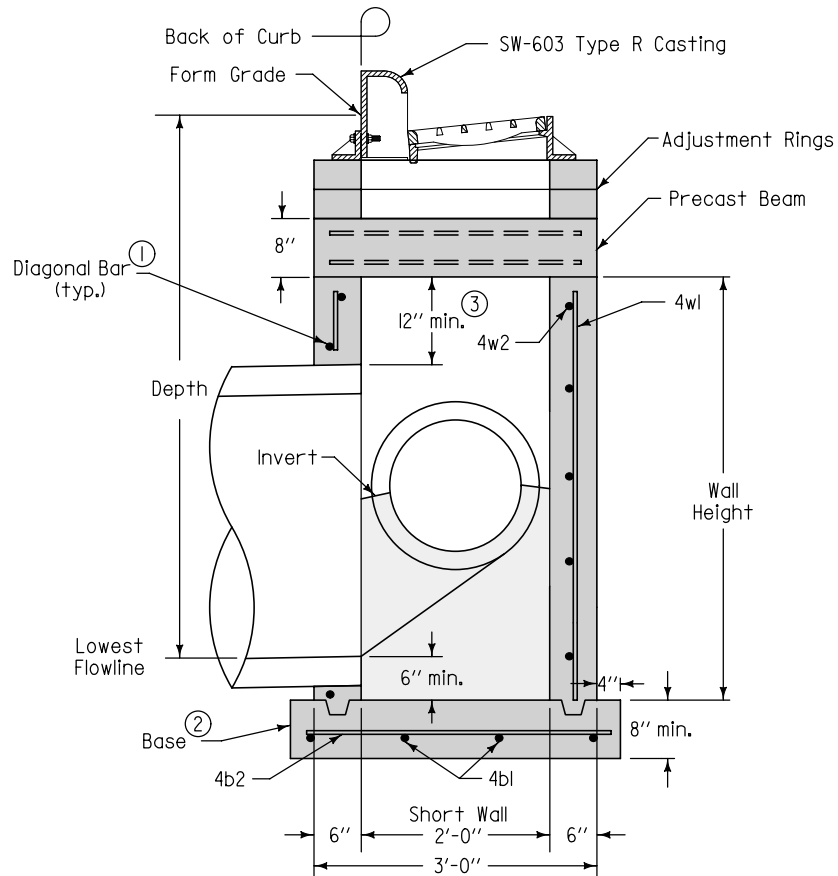
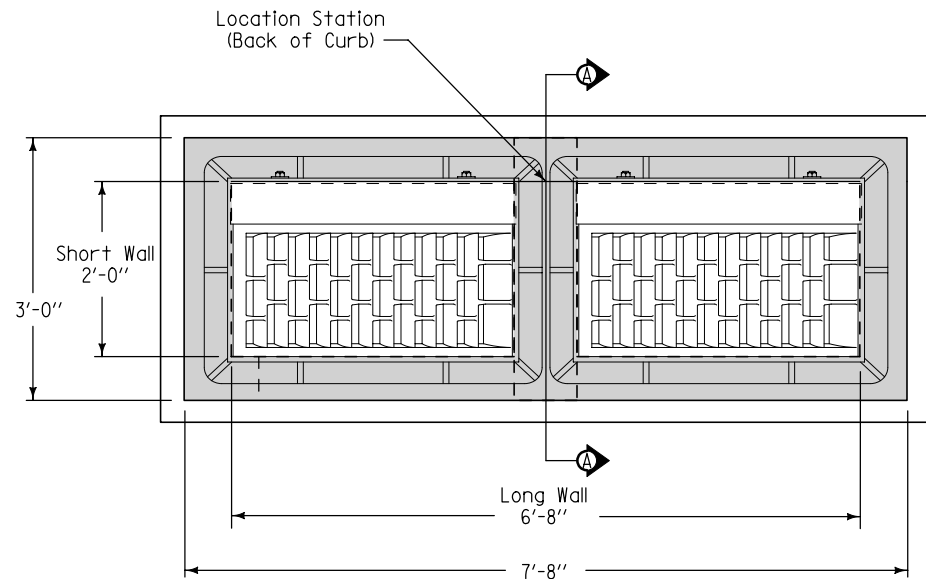


- ① Install four #4 diagonal bars at all pipe openings.
- ② Cast-in-place base shown. If base is precast integral with walls, the footprint of the base is not required to extend beyond the outer edge of the walls.
- ③ 12 inch minimum wall height above all pipes.



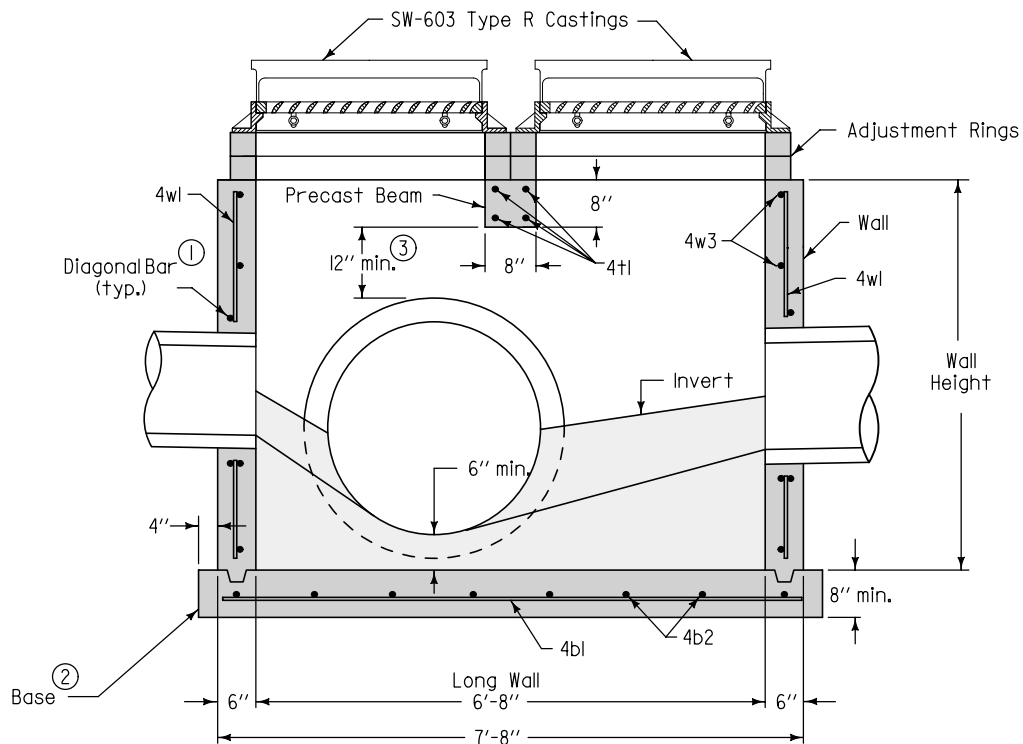
SECTION A-A



PLAN

FIGURE 6010.505 SHEET 1 OF 2

| | | |
|---|-----------------------------------|-------------------------|
| SUDAS | Iowa Department of Transportation | REVISION |
| | | NEW 04-21-09 |
| FIGURE 6010.505 | STANDARD ROAD PLAN | SW-505 |
| | | SHEET 1 of 2 |
| REVISIONS: New. Replaces SUDAS Figure 6030.5. | | |
| SUDAS DIRECTOR | | DESIGN METHODS ENGINEER |
| DOUBLE GRATE INTAKE | | |



TYPICAL SECTION

- ① Install four #4 diagonal bars at all pipe openings.
- ② Cast-in-place base shown. If base is precast integral with walls, the footprint of the base is not required to extend beyond the outer edge of the walls.
- ③ 12 inch minimum wall height above all pipes.

FIGURE 6010.505 SHEET 2 OF 2

| REINFORCING BAR LIST | | | | | | |
|----------------------|------|-------------|-------|--------|----------------------|---------|
| Mark | Size | Location | Shape | Count | Length | Spacing |
| 4t1 | 4 | Beam | — | 4 | 2'-8" | 4" |
| 4b1 | 4 | Base | — | 4 | 7'-10" | 10" |
| 4b2 | 4 | Base | — | 8 | 3'-2" | 12" |
| 4wl | 4 | Walls | — | 20 | Wall Height minus 4" | 12" |
| 4w2 | 4 | Long Walls | — | Varies | 7'-4" | 12" |
| 4w3 | 4 | Short Walls | — | Varies | 2'-8" | 12" |

| MAXIMUM PIPE DIAMETERS | | |
|------------------------|-------------------|-------------------------|
| Pipe Location | Precast Structure | Cast-in-place Structure |
| Short Wall | 15" | 18" |
| Long Wall | 60" | 66" |

| | | |
|---|-----------------------------------|-------------------------|
| SUDAS | Iowa Department of Transportation | REVISION |
| | | NEW 04-21-09 |
| FIGURE 6010.505 | STANDARD ROAD PLAN | SW-505 |
| | | SHEET 2 of 2 |
| REVISIONS: New. Replaces SUDAS Figure 6030.5. | | |
| SUDAS DIRECTOR | | DESIGN METHODS ENGINEER |
| DOUBLE GRATE INTAKE | | |