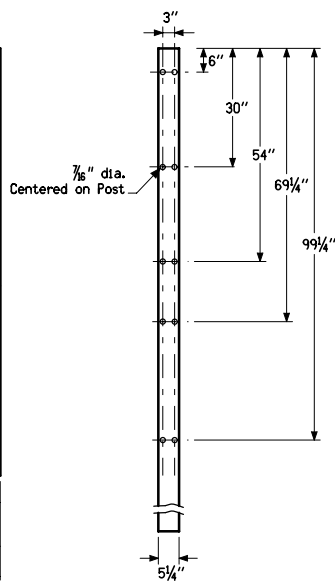
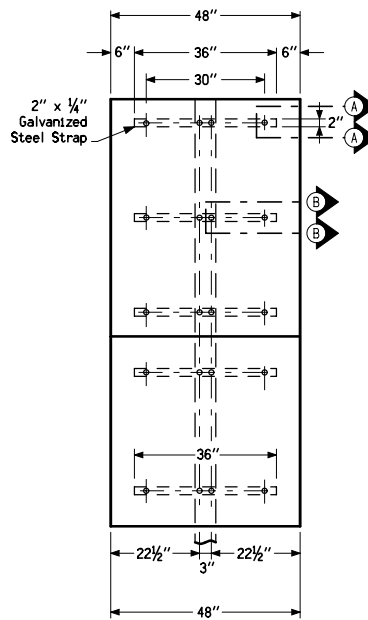


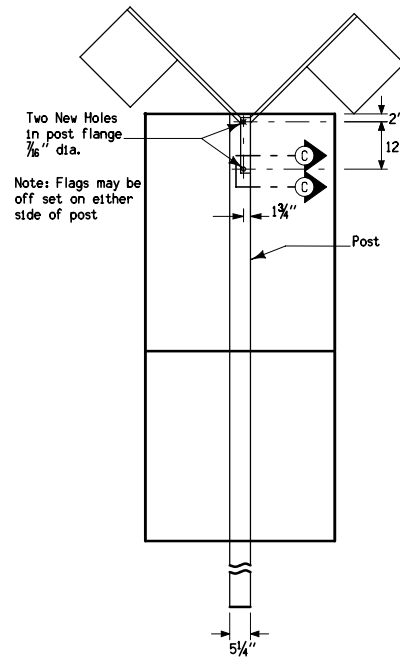
**FIGURE 1
HOLE LOCATION
ON SIGNS**



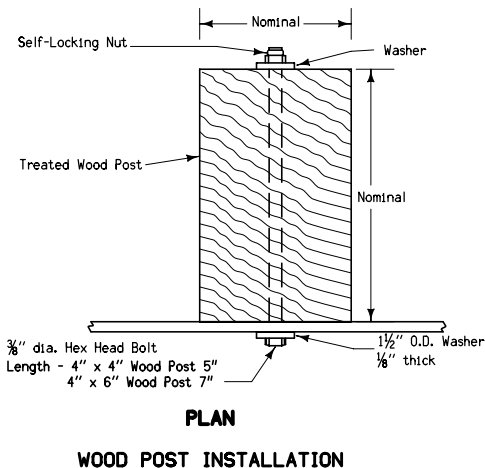
**FIGURE 2
HOLE LOCATION ON
W8X21 POST**



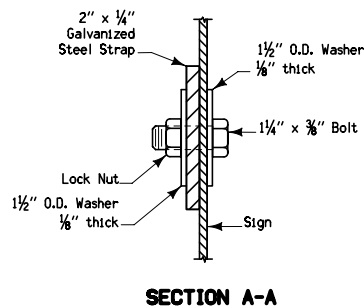
**FIGURE 3
ATTACHMENT DETAIL
OF SIGNS
ON STEEL BREAKAWAY POSTS**



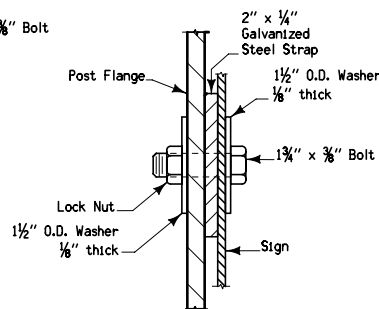
**FIGURE 4
BACK SIDE OF
SPEED LIMIT SIGN
SHOWING FLAG ATTACHMENT**



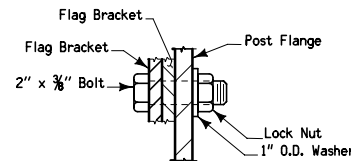
**PLAN
WOOD POST INSTALLATION**



SECTION A-A



SECTION B-B



SECTION C-C

Figures 1-4 are specifically for a speed limit sign with the "MINIMUM 40" plaque beneath.

Repair all holes drilled into galvanized steel and cuts on galvanized steel with zinc rich paint.

All washers on sign face shall be 1 1/2-inch O.D., 3/8-inch I.D., and 1/8-inch thickness.

All fasteners and steel straps shall meet the specifications in 4186.09.

Refer to SI-113 for details of steel breakaway sign post.

Possible Contract Items:
Steel Breakaway Sign Post
Wood Sign Post

Iowa Department of Transportation STANDARD ROAD PLAN	REVISION
	1 10-20-09
	SI-131 SHEET 1 of 1

REVISIONS: Revised attachment method to steel posts and wood posts.

Deanna McFalls
APPROVED BY DESIGN METHODS ENGINEER

**INSTALLATION -
TYPE 'A' SIGNS**