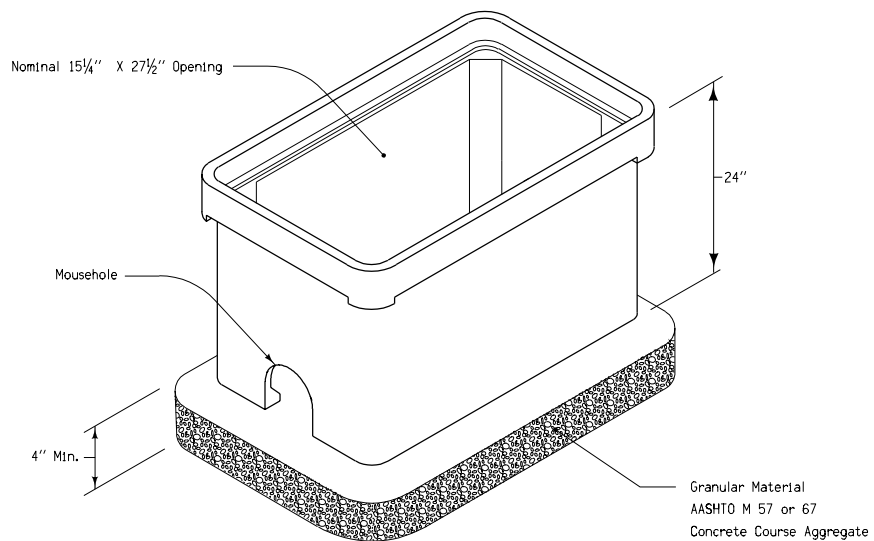


COVER



BOX

JUNCTION BOX DETAILS

GENERAL NOTES:



The details indicated herein are for typical junction boxes used in electrical circuitry for highway lighting. Alternate designs may be submitted to the Engineer for approval.

Materials and methods of construction shall be in accordance with current Standard and Supplemental Specifications.

Refer to appropriate Standard Road Plans and project plans for additional details.

Junction box shall be installed per manufacturer's recommendations.

Covers of junction boxes installed in locations subject to pedestrian traffic shall have an approved anti-skid pattern.

 Iowa Department of Transportation Project Development Division	
STANDARD ROAD PLAN RM-38	
REVISION: New.	REVISION NO. New
 12-28-98 APPROVED BY DESIGN METHODS ENGINEER	REVISION DATE 04-27-99

JUNCTION BOX
(FIBER REINFORCED CONCRETE)