

TYPICAL PLAN VIEW OF DIKE CONSTRUCTION AT SKEWED BRIDGE

General Notes:

This plan illustrates the normal construction procedure for wing dikes at bridges. The details for construction shall be as indicated hereon except when otherwise shown on the Project Plan.

Materials and methods of construction shall be in accordance with current Standard and Supplemental Specifications.

At locations where a portion of the wing dike would be within 50 feet of the edge of the traffic lane for the approach traffic, that portion of the dike shall be constructed with a slope of 8:1 parallel to traffic. The stream side slope of the wing dike shall be 2.5:1 as shown.

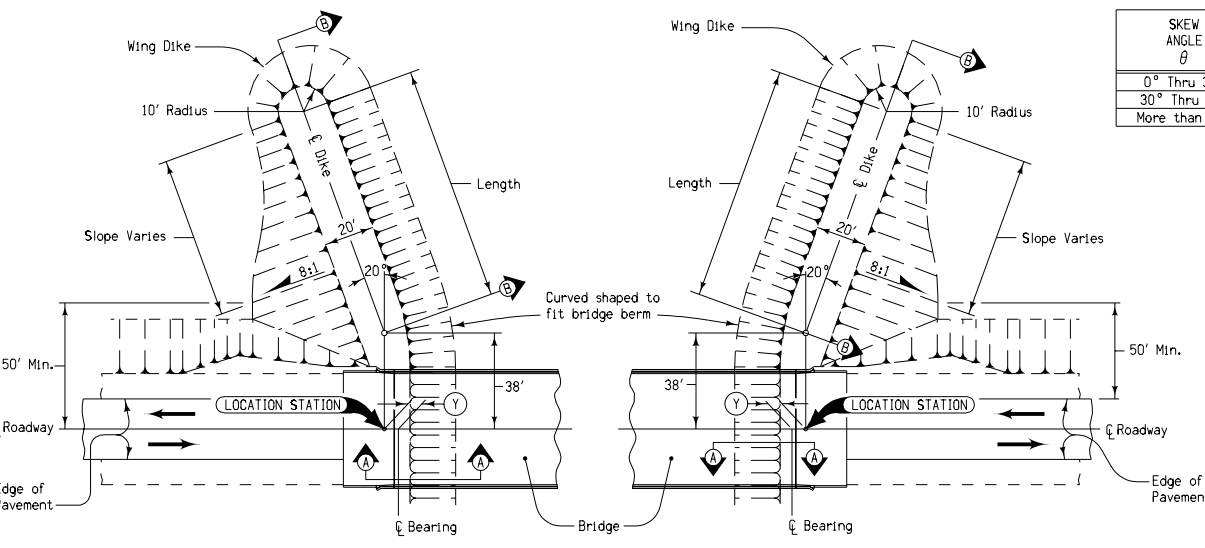
The wing dikes will be built with an additional skew angle of 20 degrees to the skew angle of the bridge. For details see the typical drawings on this sheet. The method of location will be similar when the direction of flow or skew is opposite that indicated.

Top of dike elevation will be the same as the bridge berm elevation unless otherwise noted.

Necessary materials for construction of the dikes are included on the tabulation of "Estimate of Quantities" for excavation.

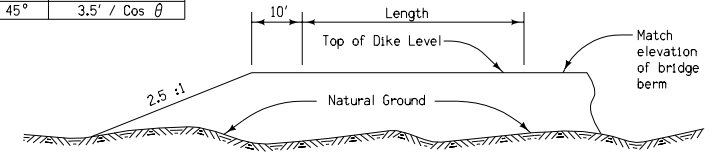
Price bid for "Excavation of the class specified" shall be full compensation for construction of dikes as indicated hereon.

For guidelines to determine wing dike lengths or when to use wing dikes, see the Office of Bridges and Structures' document "Guidelines for Preliminary Design of Bridges and Culverts" or Iowa D.O.T.'s "Instructional Memorandums to County Engineers," I.M. 3.131.

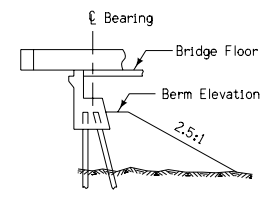


TYPICAL PLAN VIEW OF DIKE CONSTRUCTION AT NON-SKEWED BRIDGE

SKEW ANGLE $\theta$	DIMENSION (Y)
0° Thru 30°	$5.5' / \cos \theta$
30° Thru 45°	$4.5' / \cos \theta$
More than 45°	$3.5' / \cos \theta$



SECTION B-B



SECTION A-A

Iowa Department of Transportation  
Project Development Division

**STANDARD ROAD PLAN RL-3**

REVISION: Revise general notes. REVISION NO. 7

APPROVED BY DESIGN METHODS ENGINEER: *David P. Keith* 07-31-95 REVISION DATE 10-31-95

DETAILS FOR  
STANDARD WING DIKES